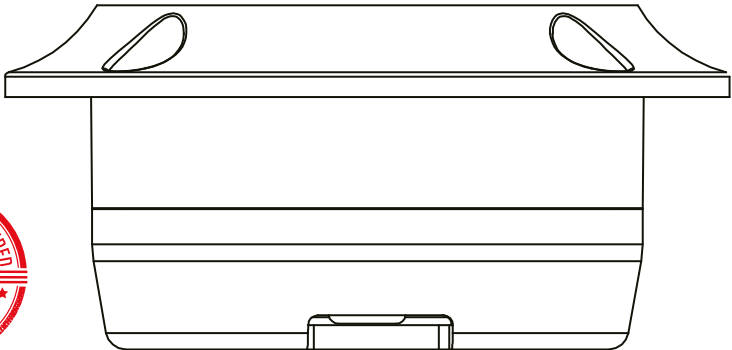
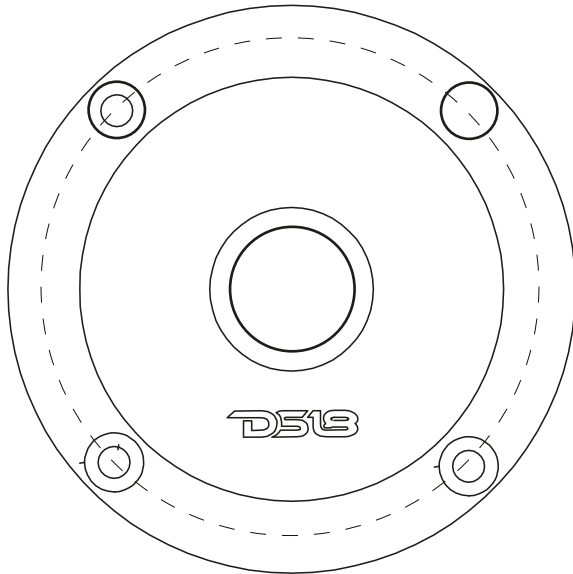




DS18[®]
PRO

OWNER'S MANUAL
PRO-TSQ3IN1

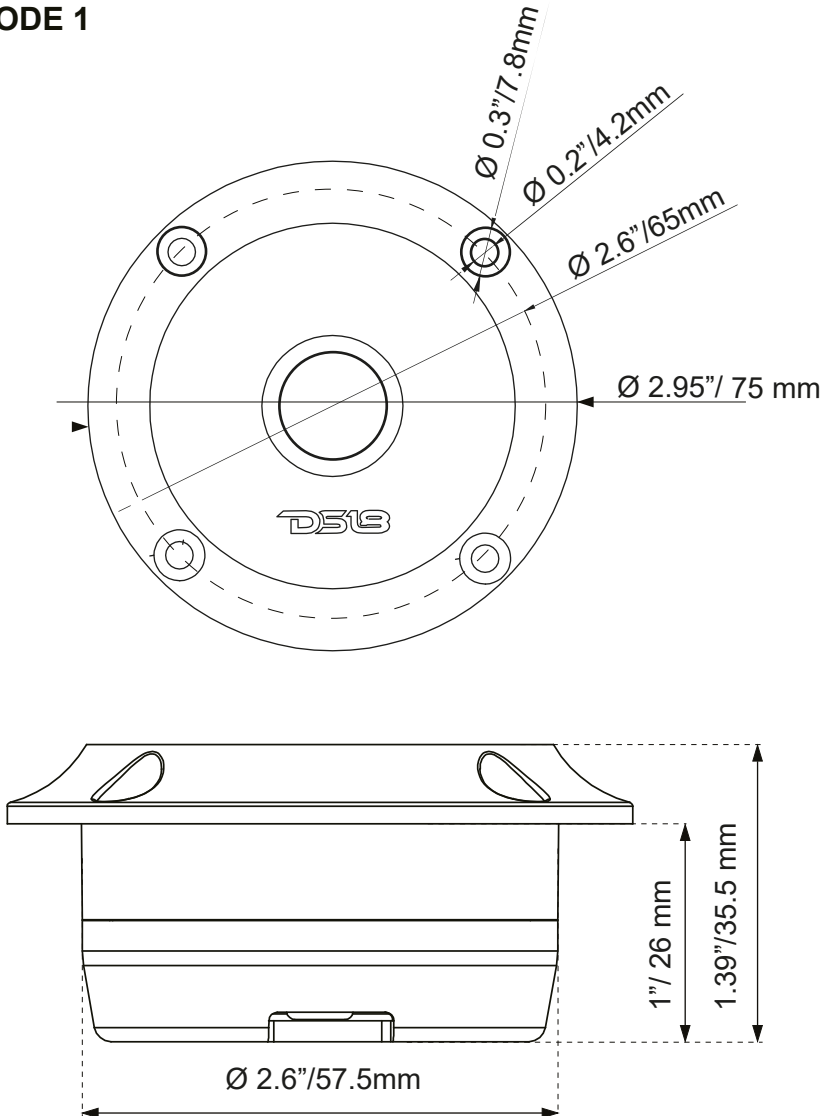




PRO-TSQ3IN1

FLUSH MOUNT MEASUREMENTS

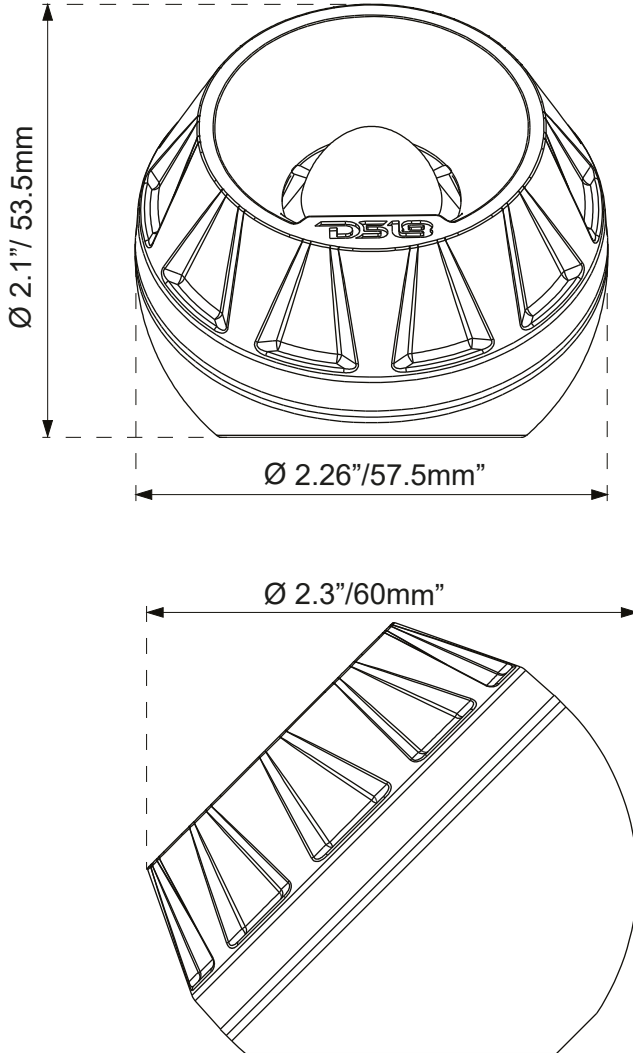
MODE 1

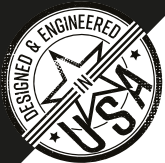


PRO-TSQ3IN1

ANGLE MOUNT MEASUREMENTS

MODE 2

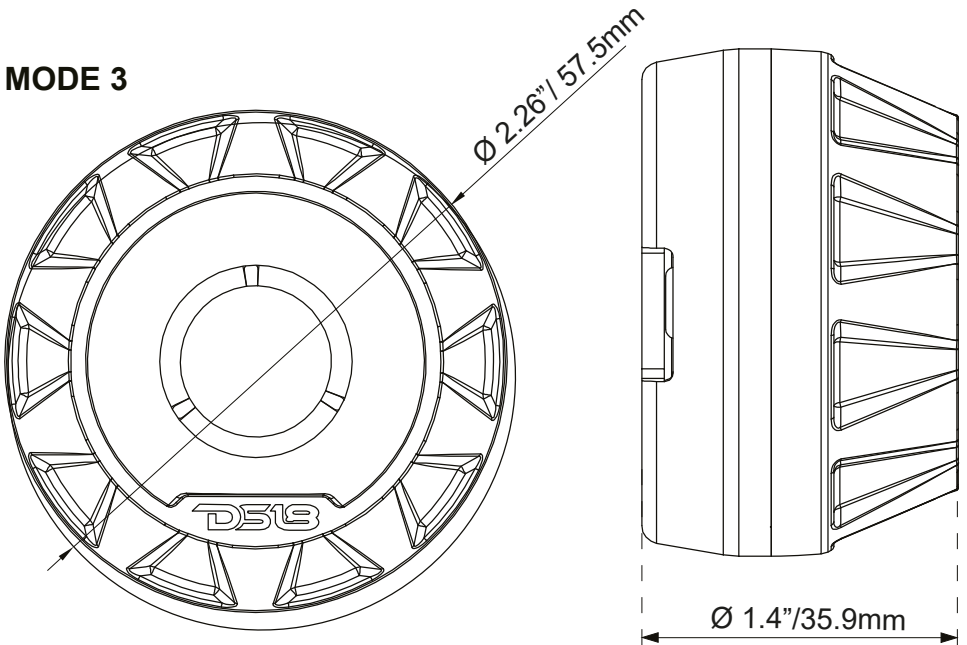




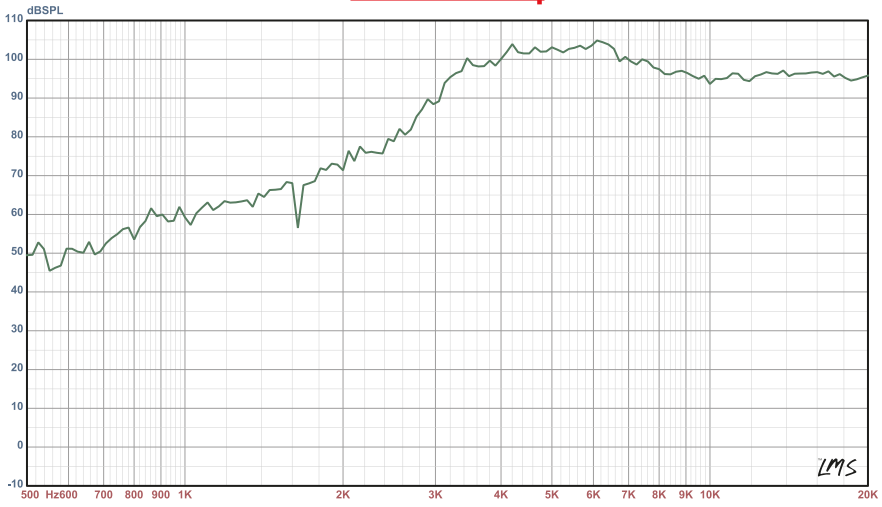
PRO-TSQ3IN1

FLAT MOUNT MEASUREMENTS

MODE 3



SPL vs Freq



LMS



Data Sheet

SPECIFICATIONS:

Nominal Diameter (Flush / Surface)	3 / 2.2"
Nominal Impedance	4 ohms
Peak Power Handling	200 Watts
Program Power Handling	100 Watts
AES Power Handling	50 Watts
Sensitivity (1W/1W)	102dB
Frequency Response	3KHz-20KHz
Recommended Hi Pass Crossover	2 KHz

MOTOR

Voice Coil Diameter.....	1" / 25.4 mm
Voice Coil Former Material	Kapton
Winding Material	CCA
Diaphragm Material	Aluminum Alloy
Frame/Body Material	ABS
Magnet Material.....	Neodymium

MEASUREMENTS

MODE 1 (FLUSH MOUNT)

Overall Diameter	2.95" / 75 mm
Overall Depth	1.39" / 35.5 mm
Front Mount Baffle Cutout	2.26" / 57.5 mm
Mounting Depth	1" / 26 mm

MODE 2 (ANGLE MOUNT)

Overall Wide	2.26" / 57.5 mm
Overall Height.....	2.1"/53.5 mm
Overall Depth	2.3" / 60 mm

MODE 3 (FLAT SURFACE MOUNT)

Overall Diameter	2.26" / 57.5 mm
Overall Height.....	1.4"/35.9 mm

PRO-TSQ3IN1

Learn more about car speakers we have.