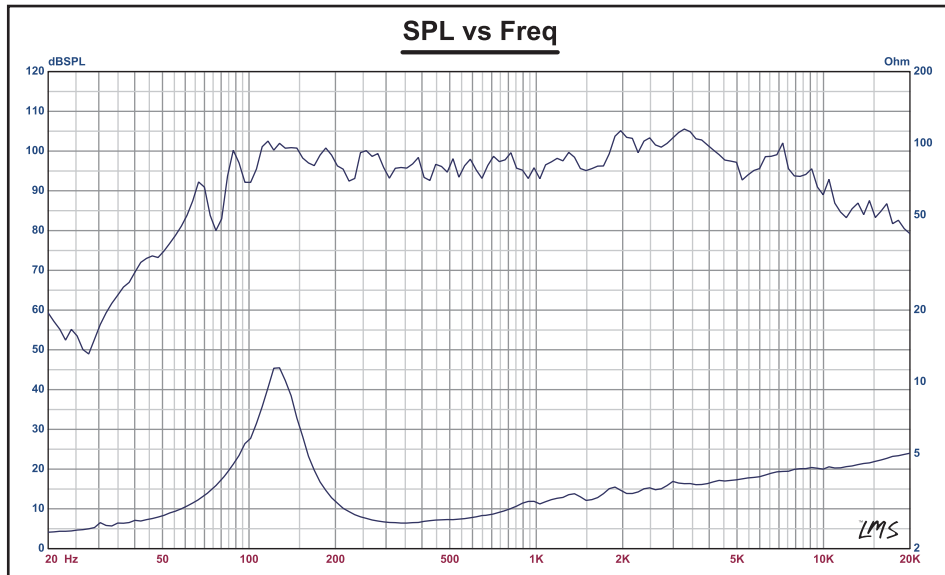




PRO-SM8.2

8" SLIM MOTORCYCLE MIDRANGE SPEAKER

- MAX Power Handling: 500 Watts
- RMS Power Handling: 250 Watts
- Frequency Response: 65Hz-12KHz
- Nominal Impedance: 2 ohms
- Mounting Depth: 62.2 mm (2.45")
- Sensitivity (1W/1M): 97dB
- Magnet Material: Ferrite
- Magnet Weight: 25 oz
- Voice Coil Material: Kapton
- Voice Coil Diameter: 1.5" (38.1 mm)



8" SLIM MOTORCYCLE MIDRANGE SPEAKER

PRO-SM8.2



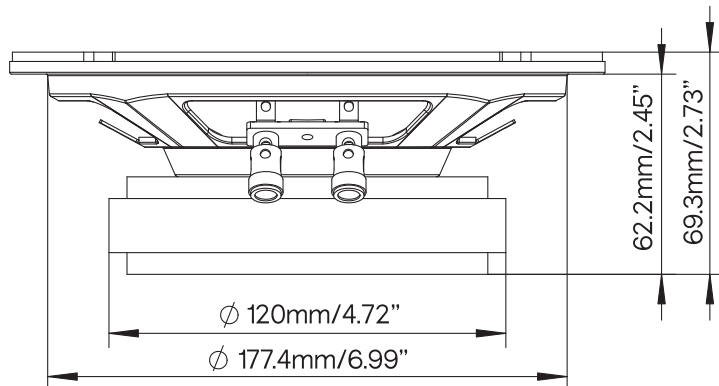
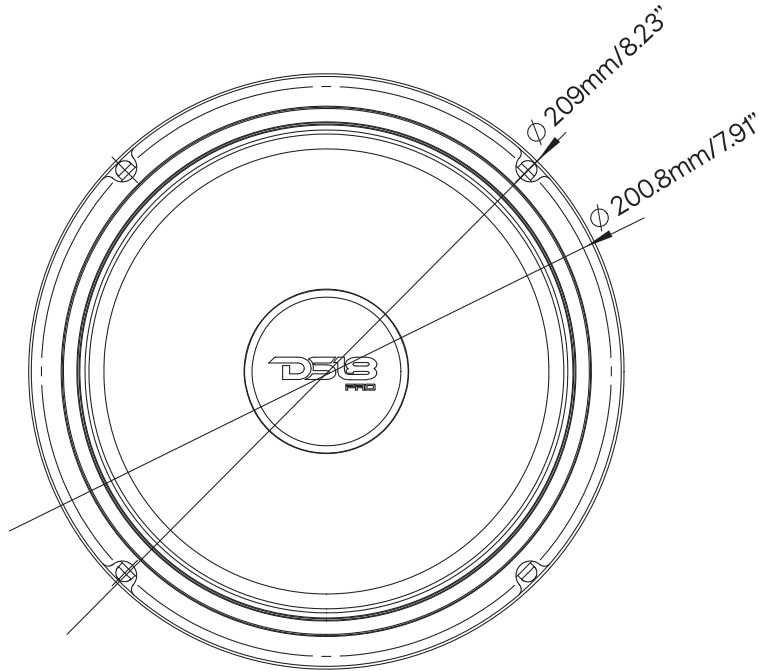
500W MAX

250W RMS

2 OHMS

PRO-SM8.2

**8" SLIM MOTORCYCLE
MIDRANGE SPEAKER**



Data Sheet

Specifications:

Nominal Diameter	8" (20.32 mm)
Nominal Impedance	2 ohms
RMS Power Handling	250 WATTS
Maximum Power Handling	500 WATTS
Sensitivity (1w/1m)	97dB
Frequency Response	65Hz-12KHz
Recommended Hi Pass Crossover	160 Hz

Midrange:

Voice Coil Diameter	1.5" (38.1 mm)
Voice Coil Former Material	Kapton
Winding Material	CCAW
Basket Material	Steel
Magnet Weight	25 oz

Thiele & Small Parameters:

Equivalent Volume	Vas	11.321LTR
Excursion	Xmax	8 mm
Free Air Resonance	Fs	110 Hz
Mechanical Factor	Qms	3.881
Electrical Factor	Qes	0.78
Total Factor	Qts	0.718
Dc Resistance	Re	2 ohms

Measurements:

Overall Diameter	209 mm (8.23")
Front Mount Baffle Cutout	177.4 mm (6.99")
Mounting Depth	62.2 mm (2.45")
Overall Depth	69.3 mm (2.73")

PRO-SM8.2

SLIM MOTORCYCLE MIDRANGE SPEAKER

