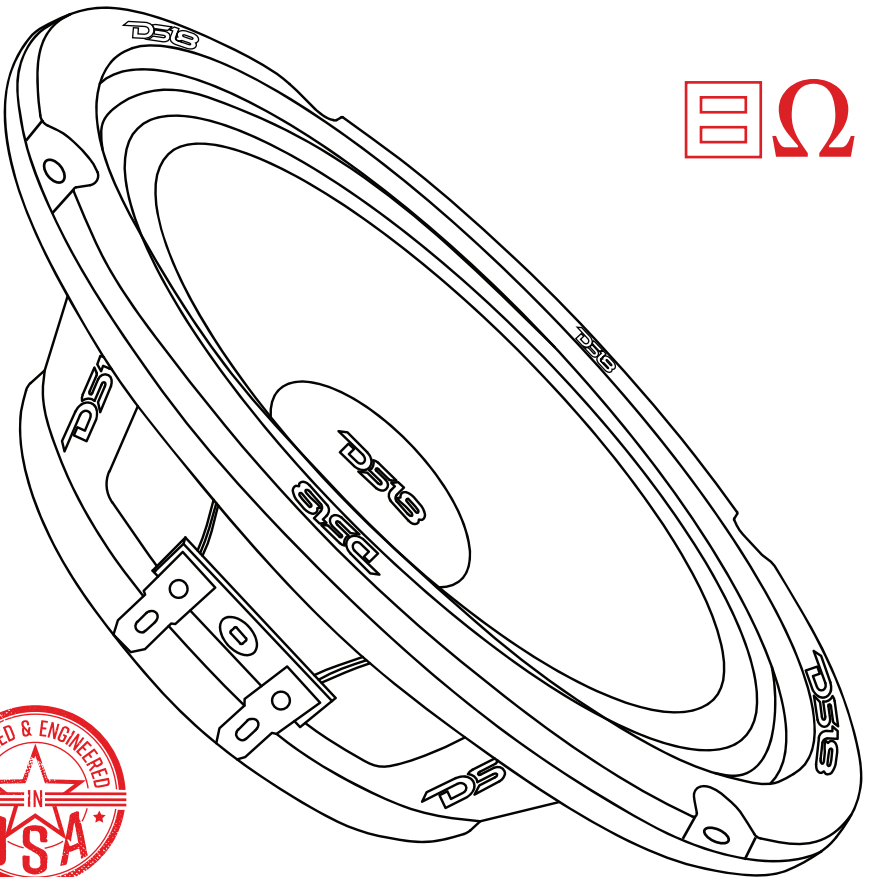


DS18[®]

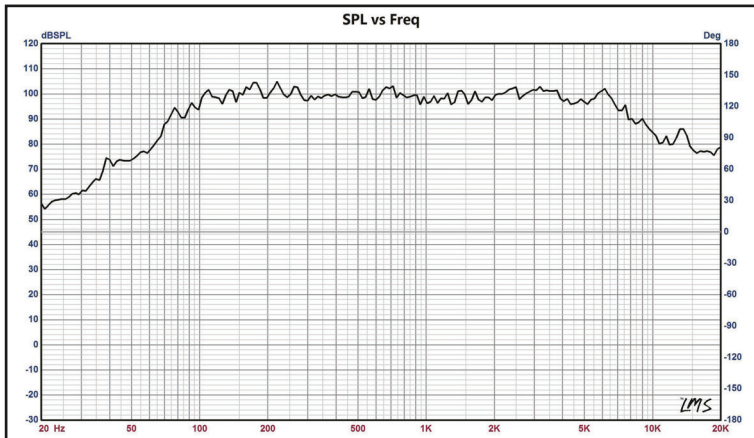
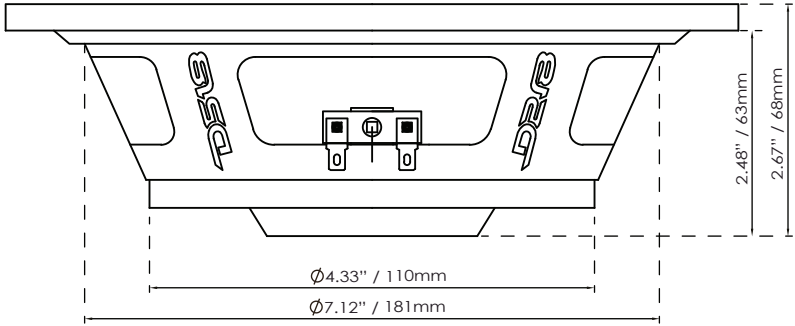
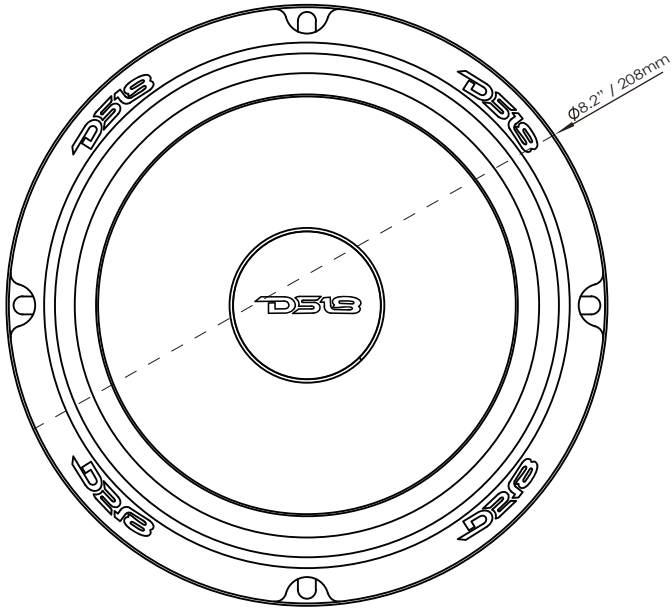
OWNER'S MANUAL

PRO-NS8

8" MID-RANGE LOUDSPEAKER WITH
ULTRA SLIM NEODYMIUM MAGNET



PRO-NS8





SPECIFICATIONS:

Nominal Diameter	8" / 208mm
Nominal Impedance	8 Ohms
RMS Power Handling	200W
MAX Power Handling	400W
Sensitivity (1w/1m)	96 dB
Frequency Response	97Hz-12KHz
Recommended Hi Pass Crossover	160Hz
Pair or Single	Single

MOTOR:

Voice Coil Diameter	2" / 50.8 mm
Voice Coil Former Material	KSV
Winding Material	Copper
Cone Material	Paper
Dust Cap Material	Paper
Surround Material	Cloth
Basket Material	Steel
Basket Color Finish	Glossy Red
Magnet Material	Neodymium
Magnet Weight	3.32 Oz

THIELE & SMALL PARAMETERS:

Equivalent Volume	Vas	5.48L / 0.193ft3
Excursion (one way).....	Xmax	2 mm
Free Air Resonance	Fs	120Hz
Mechanical Factor.....	Qms	3.781
Electrical Factor	Qes	0.952
Total Factor.....	Qts	0.761
Mechanical Mass	Mms	13.242g
Mechanical Compliance.....	Cms	162m cm/N
BL Factor	BL	6.029
Voice Coil Inductance	Le	7.011mH
Cone Area.....	Sd	213.825 cm3
DC Resistance	Re	6.5 ohm
Mechanical Mass w/o air.....	Mmd	13.07g

MEASUREMENTS

Overall Diameter	8.2" / 208mm
Overall Depth	2.67" / 68mm
Front Mount Baffle Cutout	7.12" / 181mm
Mounting Depth	2.48" / 63mm
Motor Diameter	4.33" / 110mm

Learn more about car speakers we have.