

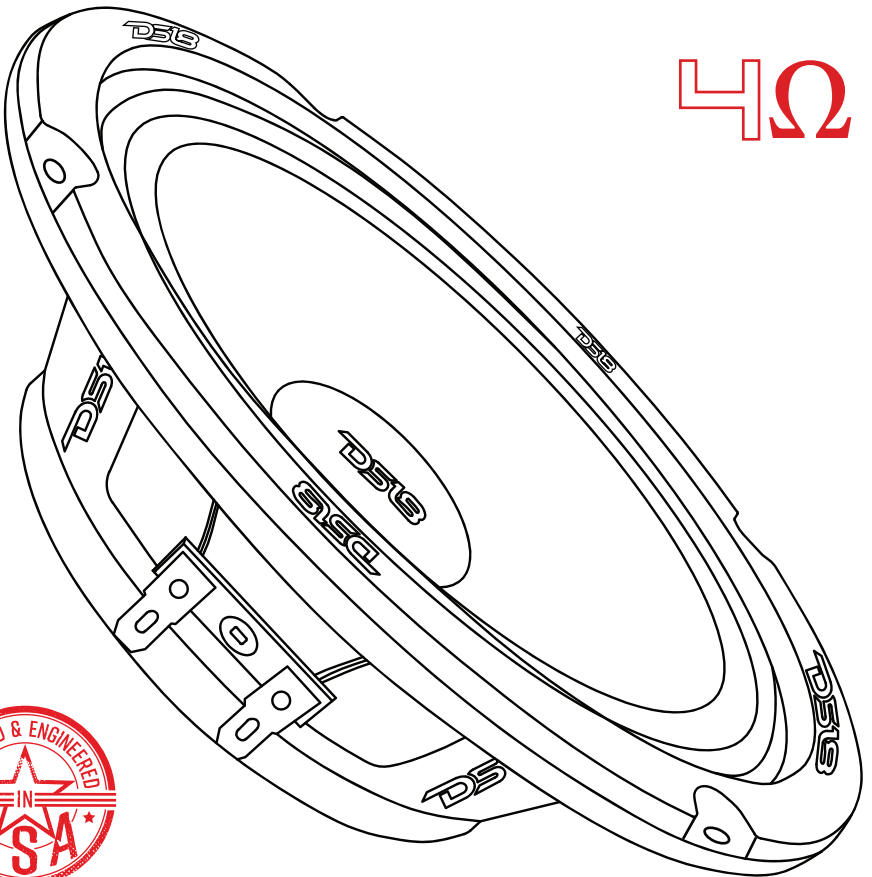
DS18[®]

OWNER'S MANUAL

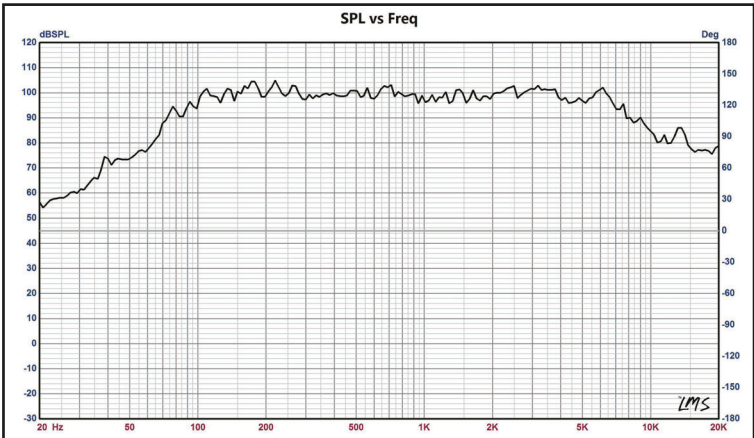
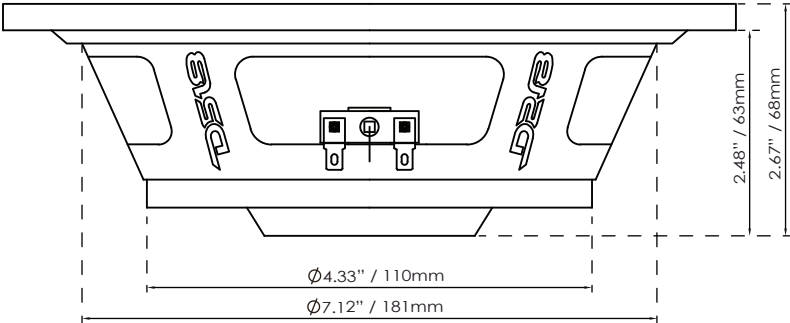
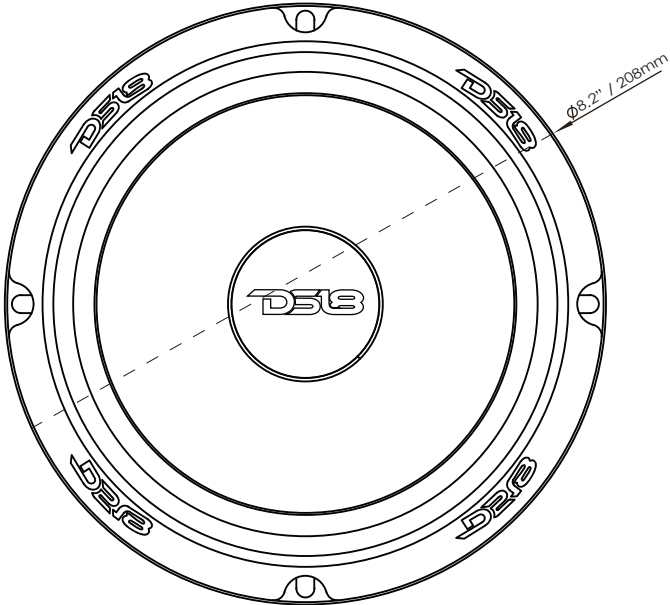
PRO-NS8.4

8" MID-RANGE LOUDSPEAKER WITH
ULTRA SLIM NEODYMIUM MAGNET

4Ω



PRO-NS8.4





SPECIFICATIONS:

Nominal Diameter	8" / 208mm
Nominal Impedance.....	4 Ohms
RMS Power Handling	200W
MAX Power Handling	400W
Sensitivity (1w/1m)	96 dB
Frequency Response.....	97Hz-12KHz
Recommended Hi Pass Crossover	160Hz
Pair or Single	Single

MOTOR:

Voice Coil Diameter	2" / 50.8 mm
Voice Coil Former Material	KSV
Winding Material	Copper
Cone Material	Paper
Dust Cap Material	Paper
Surround Material.....	Cloth
Basket Material	Steel
Basket Color Finish	Glossy Red
Magnet Material	Neodymium
Magnet Weight	3.32 Oz

THIELE & SMALL PARAMETERS:

Equivalent Volume	Vas	4.8L / 0.17ft3
Excursion (one way).....	Xmax	2 mm
Free Air Resonance	Fs	117Hz
Mechanical Factor	Qms	4.643
Electrical Factor.....	Qes	1.147
Total Factor	Qts.....	0.92
Mechanical Mass	Mms	12.294g
Mechanical Compliance	Cms.....	157m cm/N
BL Factor.....	BL	4.8
Voice Coil Inductance	Le.....	2.532mH
Cone Area	Sd	213.825 cm3
DC Resistance	Re	3.2 ohm
Mechanical Mass w/o air.....	Mmd	12.294g

MEASUREMENTS:

Overall Diameter	8.2" / 208mm
Overall Depth	2.67" / 68mm
Front Mount Baffle Cutout	7.12" / 181mm
Mounting Depth	2.48" / 63mm
Motor Diameter	4.33" / 110mm

Learn more about car speakers we have.