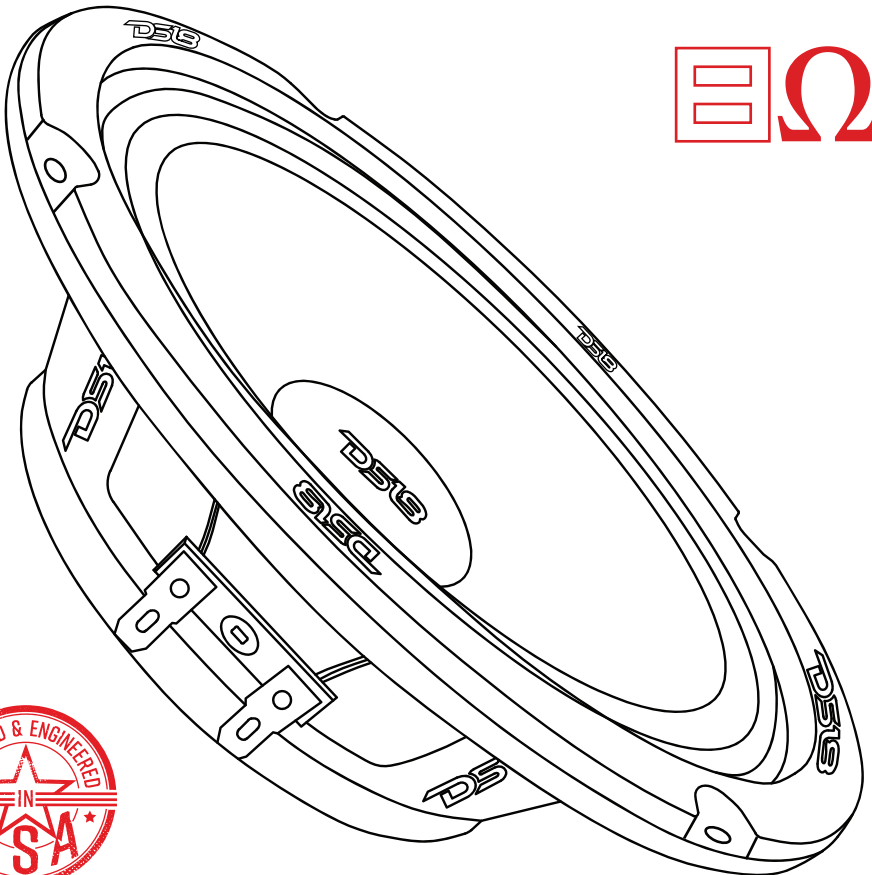


DS18[®]

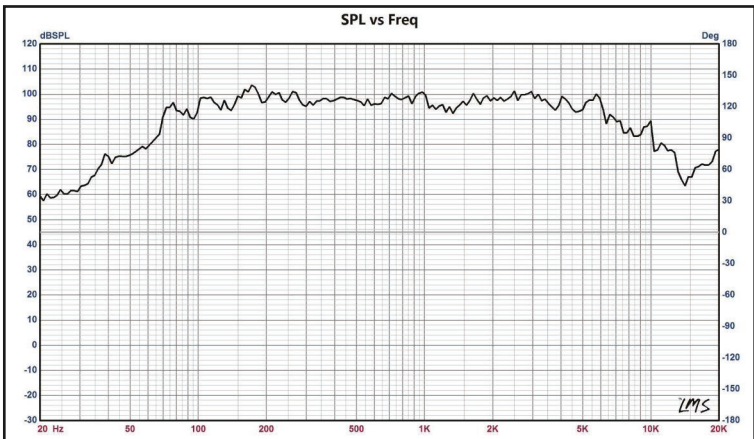
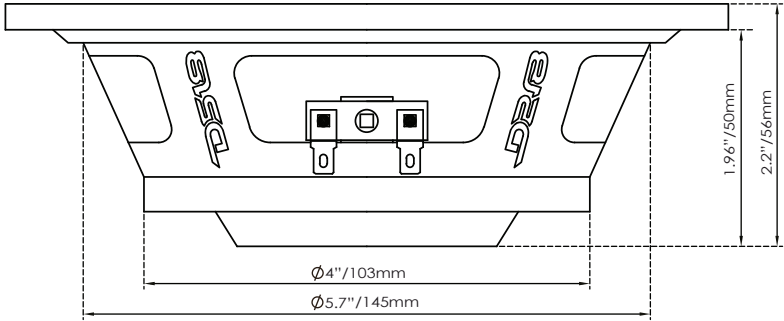
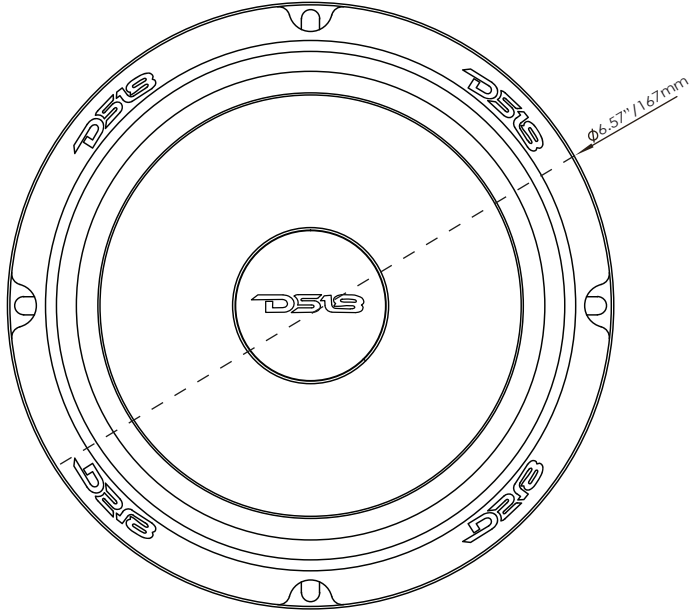
OWNER'S MANUAL

PRO-NS6

6.5" MID-RANGE LOUDSPEAKER WITH
ULTRA SLIM NEODYMIUM MAGNET



PRO-NS6





SPECIFICATIONS:

Nominal Diameter.....	6.5" / 167mm
Nominal Impedance	8 Ohms
RMS Power Handling	150W
MAX Power Handling	300W
Sensitivity (1w/1m)	94 dB
Frequency Response.....	100Hz - 12KHz
Recommended Hi Pass Crossover	180Hz
Pair or Single.....	Single

MOTOR:

Voice Coil Diameter.....	1.5"/38.6 mm
Voice Coil Former Material	KSV
Winding Material	Copper
Cone Material	Paper
Dust Cap Material	Paper
Surround Material.....	Cloth
Basket Material	Steel
Basket Color.....	Glossy Red
Magnet Material.....	Neodymium
Magnet Weight	1.79 Oz

THIELE & SMALL PARAMETERS:

Equivalent Volume	Vas	4.8L / 0.169ft3
Excursion (one way)	Xmax	2 mm
Free Air Resonance	Fs	139 Hz
Mechanical Factor	Qms	5.781
Electrical Factor.....	Qes	1.245
Total Factor	Qts.....	1.025
Mechanical Mass	Mms	6.498g
Mechanical Compliance	Cms	192.236m cm/N
BL Factor	BL	5.38
Voice Coil Inductance	Le	5.1455mH
Cone Area	Sd	132.732 Cm ³
DC Resistance	Re	6.5 ohms
Mechanical Mass w/o air.....	Mmd	8.9g

MEASUREMENTS:

Overall Diameter	6.57" / 167mm
Overall Depth	2.2" / 56mm
Front Mount Baffle Cutout	5.7" / 145mm
Mounting Depth	1.96" / 50mm
Motor Diameter	4" / 103mm

Learn more about car speakers we have.