



# DS18<sup>®</sup>

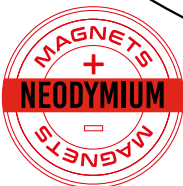
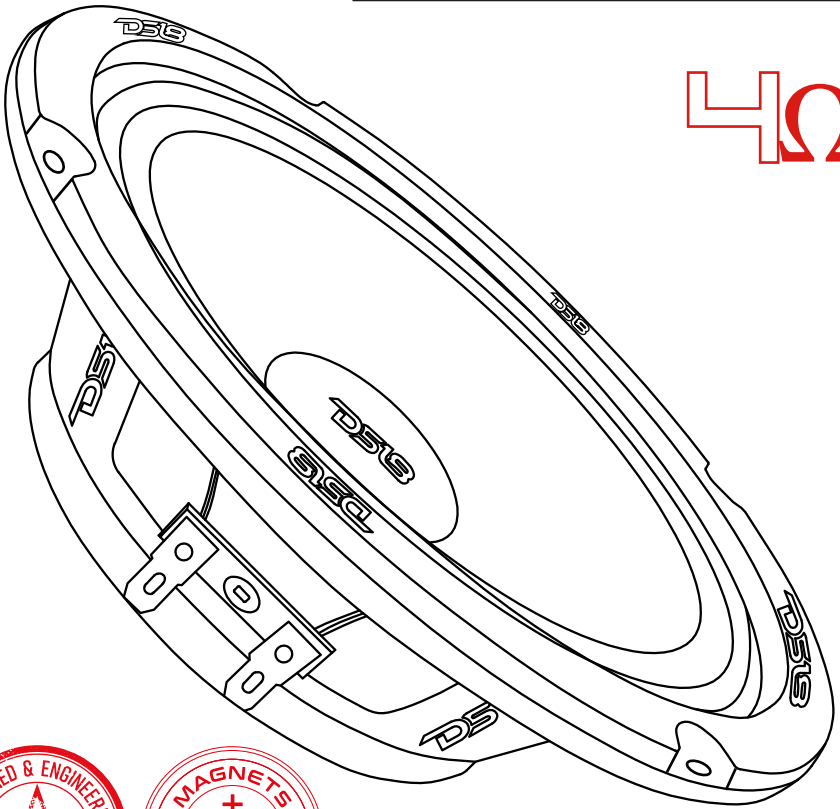
## OWNER'S MANUAL

## PRO-NS6.4

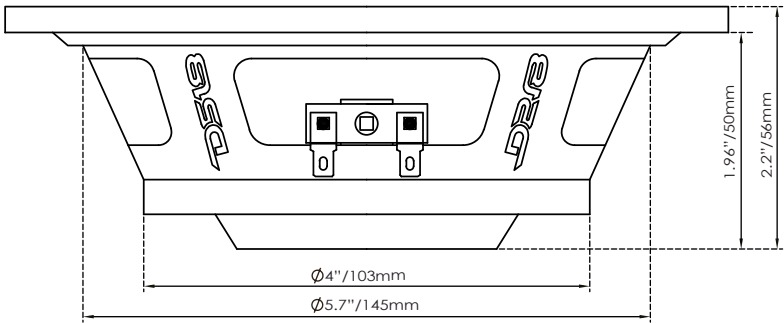
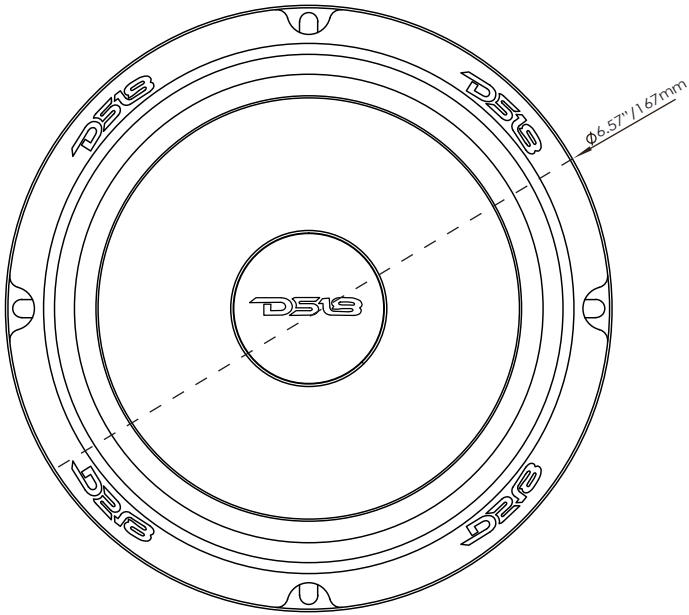
6.5" MID-RANGE LOUDSPEAKER WITH

ULTRA SLIM NEODYMIUM MAGNET

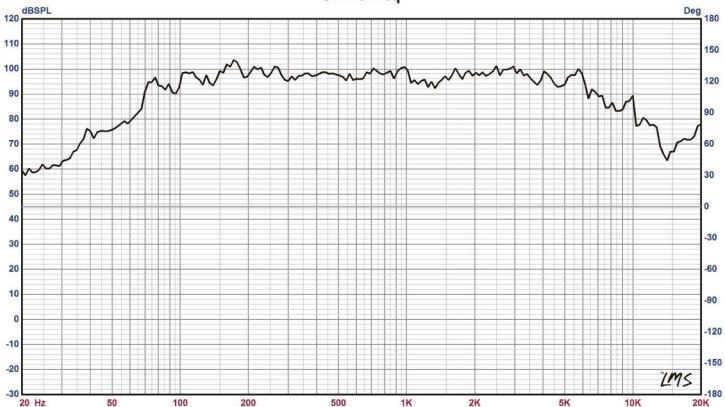
# 4Ω



# PRO-NS6.4



SPL vs Freq





### SPECIFICATIONS:

Nominal Diameter	6.5" / 167mm
Nominal Impedance	4 Ohms
RMS Power Handling	150W
MAX Power Handling	300W
Sensitivity (1w/1m)	94 dB
Frequency Response	100Hz - 12KHz
Recommended Hi Pass Crossover	180Hz
Pair or Single	Single

### MOTOR:

Voice Coil Diameter	1.5" / 38.6 mm
Voice Coil Former Material	KSV
Winding Material	Copper
Cone Material	Paper
Dust Cap Material	Paper
Surround Material	Cloth
Basket Material	Steel
Basket Color	Glossy Red
Magnet Material	Neodymium
Magnet Weight	1.79 Oz

### THIELE & SMALL PARAMETERS:

Equivalent Volume	Vas	4.58L / 0.161ft3
Excursion (one way)	Xmax	2 mm
Free Air Resonance	Fs	137 Hz
Mechanical Factor	Qms	4.906
Electrical Factor	Qes	1.072
Total Factor	Qts	0.88
Mechanical Mass	Mms	7.356g
Mechanical Compliance	Cms	183.287m cm/N
BL Factor	BL	4.2
Voice Coil Inductance	Le	2.695mH
Cone Area	Sd	132.732 Cm <sup>3</sup>
DC Resistance	Re	3.2 ohms
Mechanical Mass w/o air	Mmd	6.477 g

### MEASUREMENTS:

Overall Diameter	6.57" / 167mm
Overall Depth	2.2" / 56mm
Front Mount Baffle Cutout	5.7" / 145mm
Mounting Depth	1.96" / 50mm
Motor Diameter	4" / 103mm

Learn more about car speakers we have.