

# DS18<sup>®</sup>

## PRO

### PRO-NEO6R

MIDRANGE LOUDSPEAKER WITH NEODYMIUM RINGS

## 6.5"

Heavy Duty Red Aluminum Basket

Nominal Impedance: 4 Ohm

MAX Power Handling: 600 Watts

RMS Power Handling: 300 Watts

Sensitivity (1W/1M): 92.2dB

Frequency Response: 160Hz-12.5KHz

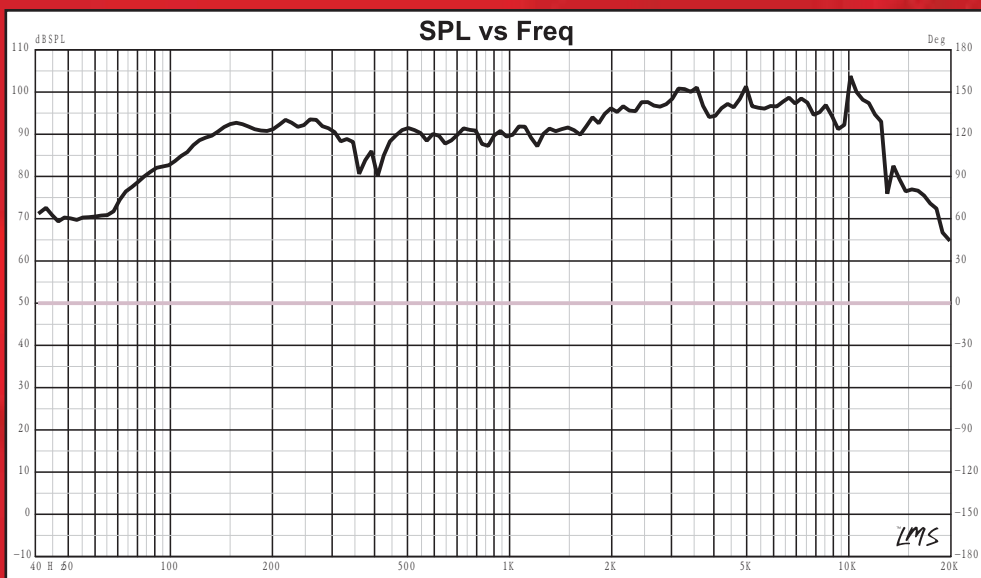
Voice Coil Diameter: 2"/ 50.8 mm

Cone Material: Paper

Magnet Weight: 11.4 oz

Magnet Material: Neodymium Rings

Mounting Depth: 2.97"/ 75.5 mm

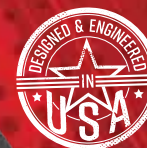


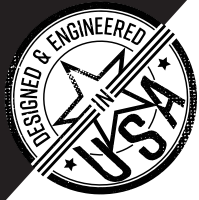
# DS18<sup>®</sup>

## PRO

### PRO-NEO6R

6.5" MIDRANGE LOUDSPEAKER  
WITH NEODYMIUM RINGS

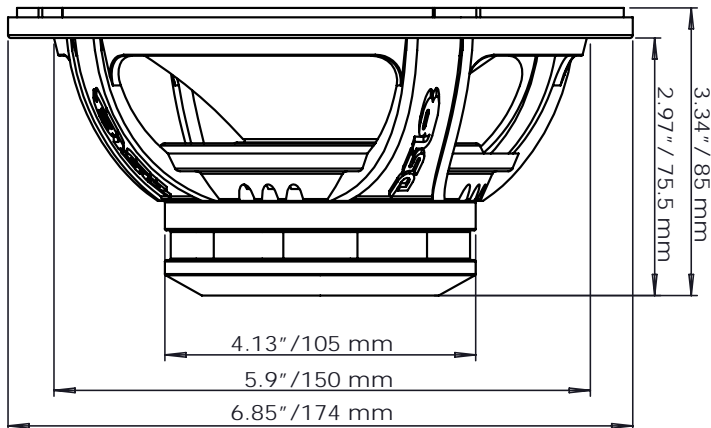
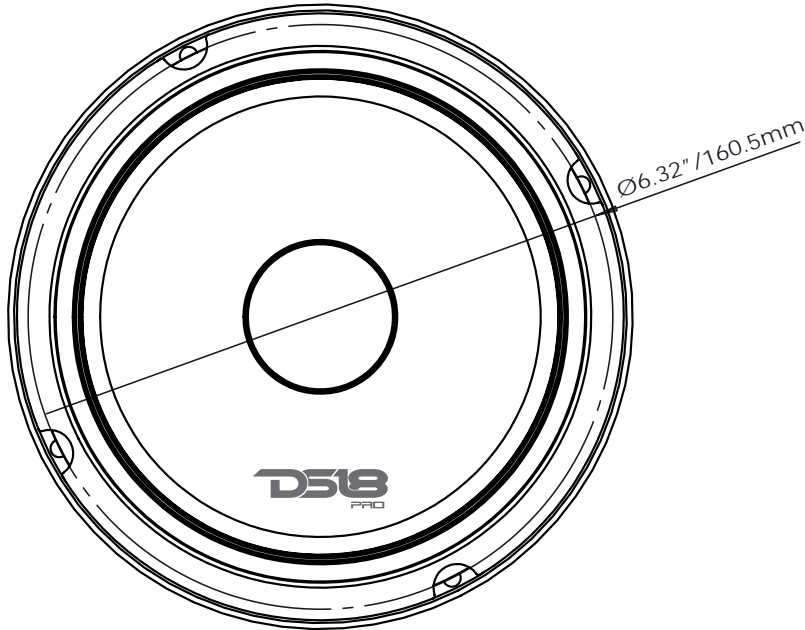




# PRO-NEO6R

## 6.5" MIDRANGE LOUDSPEAKER WITH NEODYMIUM RINGS

### Data Sheet



**PRO-NEO6R 6.5" MIDRANGE LOUDSPEAKER WITH NEODYMIUM RINGS**

#### Specifications:

Nominal Diameter .....	6.5"
Nominal Impedance .....	4 ohms
MAX Power Handling .....	600 Watts
RMS Power Handling .....	300 Watts
Sensitivity (1w/1m).....	92.2dB
Frequency Response .....	160Hz-12.5KHz
Recommended Hi Pass Crossover.....	160 Hz

#### Midrange:

Voice Coil Diameter .....	2" / 50.8mm
Voice Coil Former Material .....	Kapton
Winding Material .....	CCAW
Cone Material .....	Paper
Surround Material .....	Cloth
Basket Material .....	Aluminum
Magnet Material .....	Neodymium Rings
Magnet Weight .....	11.4 oz
Displacement.....	0.045L

#### Thiele & Small Parameters:

Equivalent Volume	Vas .....	3.016 L
Excursion	Xmax .....	10.5 mm
Free Air Resonance	Fs .....	106.3 Hz
Mechanical Factor	Qms .....	10.5
Electrical Factor	Qes .....	0.352
Total Factor	Qts .....	0.344
Dc Resistance	Re .....	3.576 ohms

#### Measurements:

Overall Diameter .....	6.85" / 174 mm
Overall Depth .....	3.34" / 85 mm
Front Mount Baffle Cutout .....	5.9" / 150 mm
Mounting Depth .....	2.97" / 75.5mm
Motor Diameter .....	4.13" / 105mm



View [other car speakers](#) made by DS18 on our website.