

DS18[®]

PRO

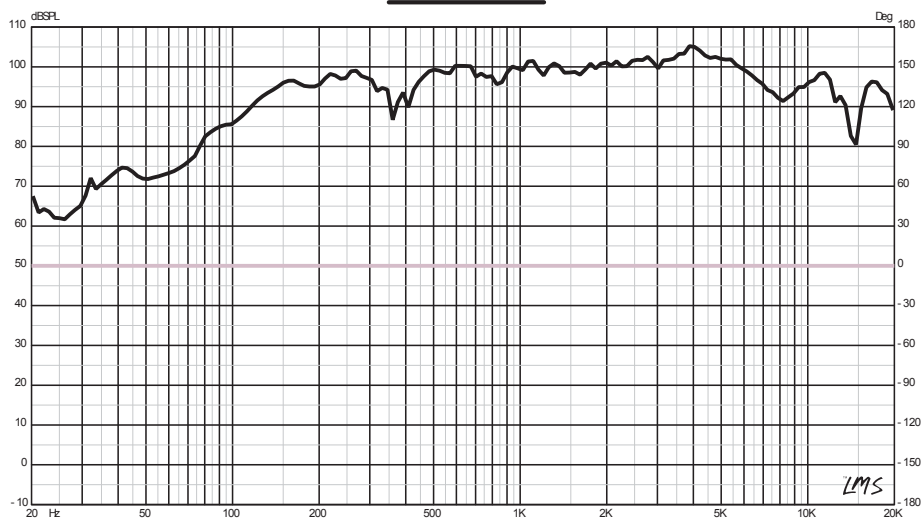
PRO-NEOG6

MIDRANGE LOUDSPEAKER WITH BULLET

6.5"

- Heavy Duty Aluminum Basket
- Nominal Impedance: 4 ohm
- MAX Power Handling: 500 Watts
- RMS Power Handling: 250 Watts
- Sensitivity (1W/1M): 96dB
- Frequency Response: 160Hz-12.5KHz
- Voice Coil Diameter: 1.5"/ 38.1 mm
- Cone Material: Paper
- Magnet Weight: 7.6 oz
- Magnet Material: Neodymium
- Mounting Depth: 2.79"/ 71mm

SPL vs Freq



DS18[®]

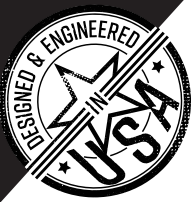
PRO

PRO-NEOG6

6.5" MIDRANGE LOUDSPEAKER WITH BULLET

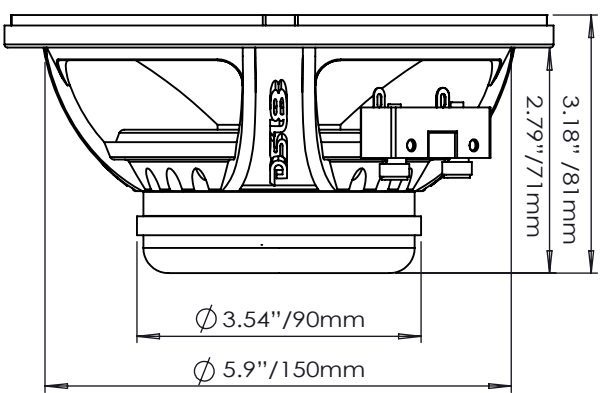
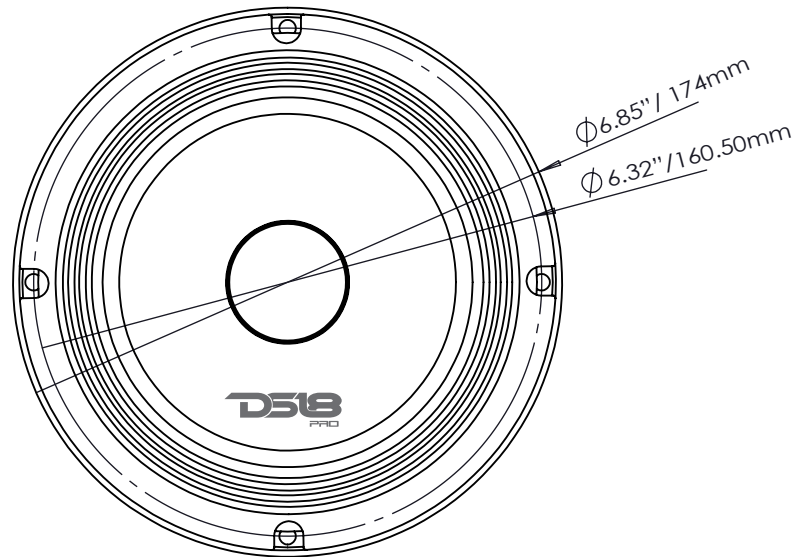


OWNER'S MANUAL



PRO-NEO6

6.5" NEODYMIUM MIDRANGE
LOUDSPEAKER WITH BULLET



Data Sheet

PRO-NEO6 6.5" MIDRANGE LOUDSPEAKER WITH BULLET

Specifications:

| | |
|------------------------------------|---------------|
| Nominal Diameter | 6.5" |
| Nominal Impedance | 4 ohms |
| MAX Power Handling | 500 Watts |
| RMS Power Handling | 250 Watts |
| Sensitivity (1w/1m)..... | 96dB |
| Frequency Response | 160Hz-12.5KHz |
| Recommended Hi Pass Crossover..... | 200 Hz |

Midrange:

| | |
|---------------------------------|---------------|
| Voice Coil Diameter..... | 1.5" / 38.1mm |
| Voice Coil Former Material..... | Glass Fiber |
| Winding Material..... | CCAW |
| Cone Material..... | Paper |
| Surround Material..... | Cloth |
| Basket Material..... | Aluminum |
| Magnet Material..... | Neodymium |
| Magnet Weight..... | 7.6 oz |
| Displacement..... | 0.043 L |

Thiele & Small Parameters:

| | | |
|--------------------|------------|------------|
| Equivalent Volume | Vas | 1566 L |
| Excursion | Xmax | 8.5 mm |
| Free Air Resonance | Fs..... | 2019 Hz |
| Mechanical Factor | Qms | 5.429 |
| Electrical Factor | Qes | 0.562 |
| Total Factor | Qts | 0.509 |
| Dc Resistance | Re..... | 3.543 ohms |

Measurements:

| | |
|---------------------------------|----------------|
| Overall Diameter | 6.85" / 174 mm |
| Overall Depth | 3.18" / 81 mm |
| Front Mount Baffle Cutout | 5.9" / 150 mm |
| Mounting Depth | 2.79" / 71 mm |
| Motor Diameter | 3.54" / 90 mm |