



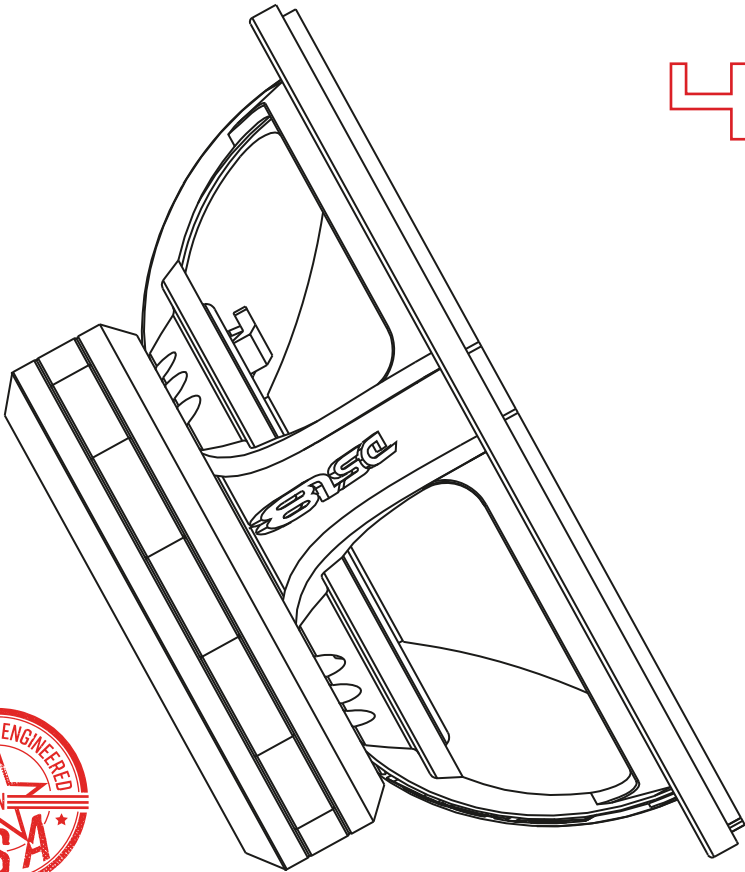
DS18[®]

OWNER'S MANUAL

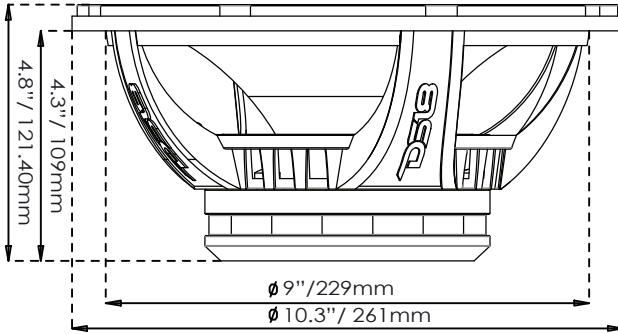
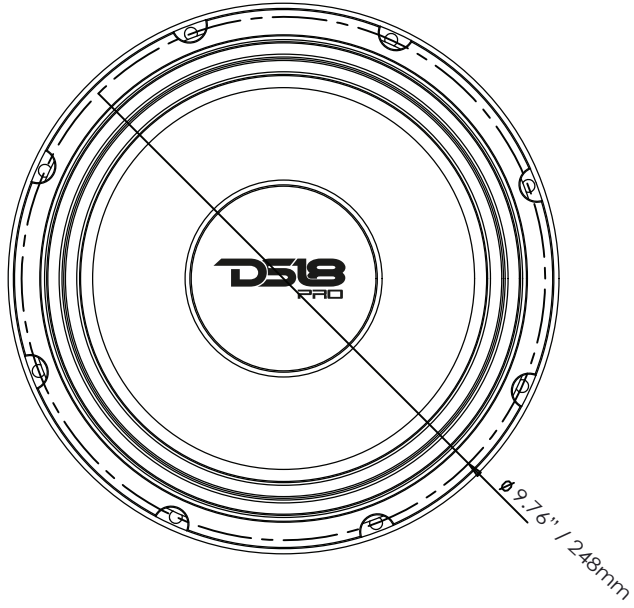
PRO-NEO10R

10" MID-RANGE LOUDSPEAKER
WITH NEODYMIUM RINGS

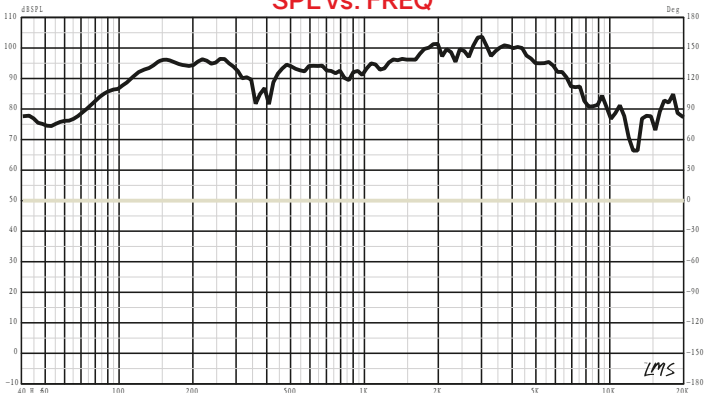
4Ω



PRO-NEO10R



SPL vs. FREQ





SPECIFICATIONS

Nominal Diameter	10"
Nominal Impedance	4 Ohms
RMS Power Handling	500W
MAX Power Handling	1000W
Sensitivity (1w/1m)	98 dB
Frequency Response	60Hz-11KHz
Recommended Hi Pass Crossover	120Hz
Pair or Single	Single

MOTOR

Voice Coil Diameter.....	2.5"/65.5 mm
Voice Coil Former Material	Ti
Winding Material	CCAW
Cone Material	Paper
Dust Cap Material	Paper
Surround Material	Cloth
Basket Material	Aluminum
Basket Color	Red
Magnet Material	Neodymium Rings

THIELE & SMALL PARAMETERS

Excursion (one way)	Xmax	12 mm
Free Air Resonance	Fs	102 Hz
Mechanical Factor	Qms	1.158
Electrical Factor	Qes	0.316
Total Factor	Qts	0.248
Mechanical Mass	Mms	34.815g
Mechanical Compliance	Cms	0.070 mm/N
BL Factor	BL	15.746 N/A
Voice Coil Inductance	Le	17.35 mH
Cone Area	Sd	356.33 Cm ²
DC Resistance	Re	3.2 ohms
Mechanical Mass w/o air	Mmd	27.214g

MEASUREMENTS

Overall Diameter	10.3" / 261mm
Overall Depth	4.8" / 121.4mm
Front Mount Baffle Cutout	9" / 229mm
Mounting Depth	4.3" / 109mm
Motor Diameter	5.5" / 140mm