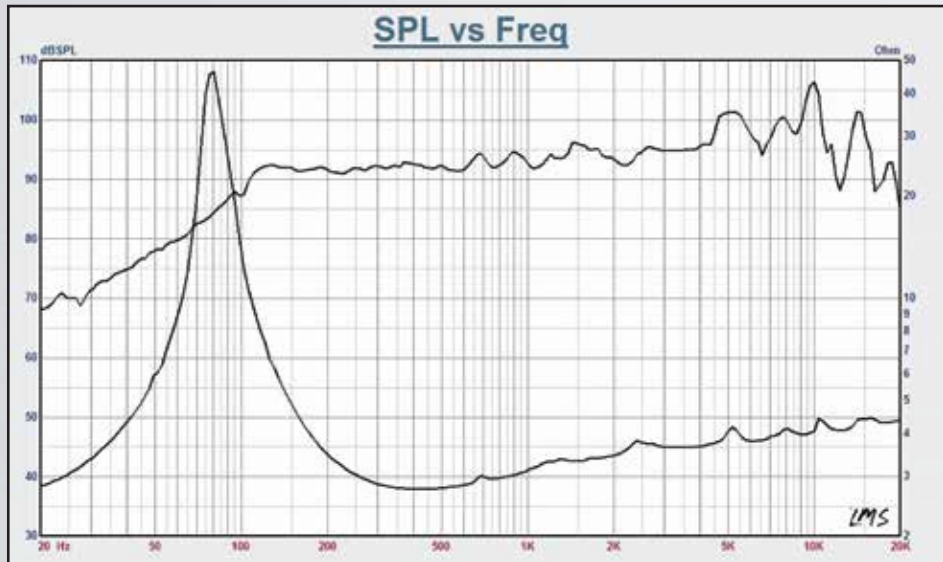




PRO-M8.2NEO

8" NEODYMIUM MIDRANGE
WITH WATER RESISTANT CONE

Fiber Glass with Foam Composite Cone and
Dust Cap with Heavy Duty Aluminum Basket
EVA Gasket Ring
Nominal Basket Diameter: 8"
Magnet: Neodymium
MAX Power: 500 Watts
RMS Power: 250 Watts
Voice Coil: 1.5" Kapton
Sensitivity: 96dB
Nominal Impedance: 2 ohms
Frequency Response: 60Hz-16KHz
Mounting Depth: 3.34"/84.9mm



PRO-M8.2NEO

8" NEODYMIUM MIDRANGE
WITH WATER RESISTANT CONE

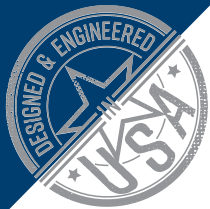


500W MAX

250W RMS

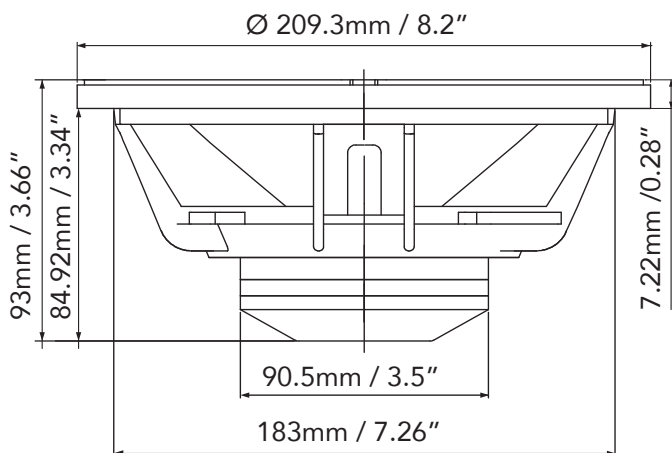
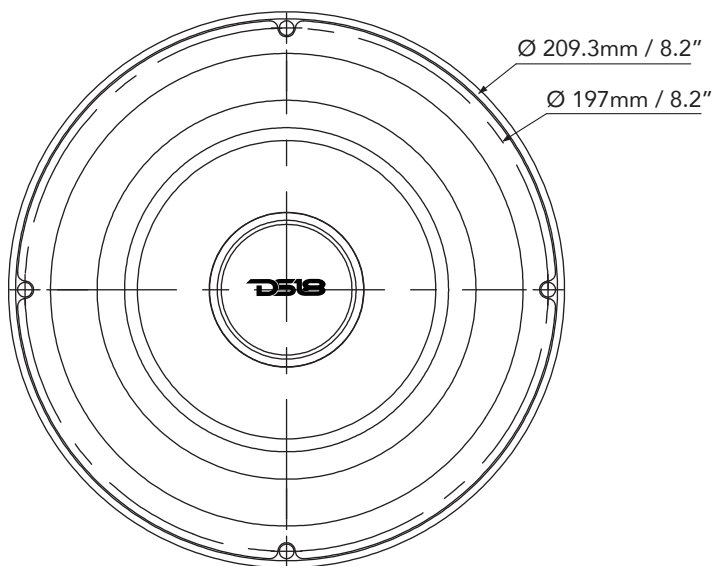
2 OHMS

OWNER'S MANUAL



PRO-M8.2NEO

8" NEODYMIUM MIDRANGE WITH WATER RESISTANT CONE



Data Sheet

PRO-M8.2NEO NEODYMIUM MIDRANGE WITH WATER RESISTANT CONE

Specifications:

Nominal Diameter	8"
Nominal Impedance	2 ohms
RMS Power Handling	250 WATTS
Maximum Power Handling	500 WATTS
Sensitivity (1w/1m)	96dB
Frequency Response	60Hz-16KHz
Recommended Hi Pass Crossover	120 Hz

Midrange:

Voice Coil Diameter	1.5"
Voice Coil Former Material	Kapton
Winding Material	CCAW
Basket Material	Aluminum
Magnet Material.....	Neodymium

Thiele & Small Parameters:

Equivalent Volume	Vas	30.790Ltr
Cone Area	Sd	22.16K
Free Air Resonance	Fs	62.827 Hz
Mechanical Factor	Qms	7.7726
Electrical Factor	Qes	0.334
Total Factor	Qts	0.320
Dc Resistance	Re	2 ohms
	Sd	22.16K

Measurements:

Overall Diameter	8.2" / 209.3mm
Front Mount Baffle Cutout.....	7.26" / 183mm
Mounting Depth	3.34" / 84.92mm
Overall Depth	3.66" / 93mm