



PRO-GM6.4B

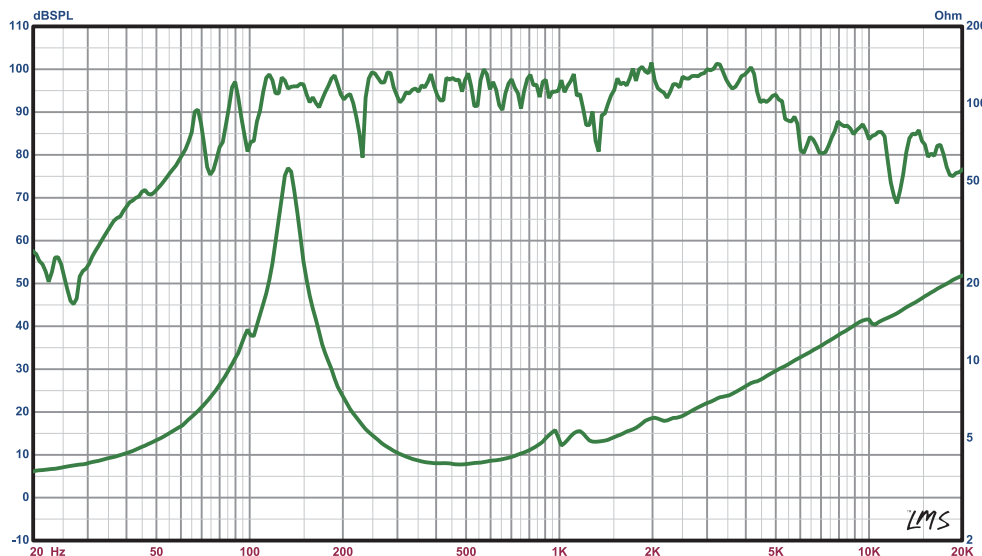
- Black Color Paper Woofer Cone
- Cloth Surround, Black Stamp Basket
- 6.5" Nominal Basket Diameter with Bullet
- Magnet Structure: 23 oz with Rubber Boot Cover
- 480 Watts MAX Power
- 140 Watts RMS Power
- 1.5" High Temperature Kapton Voice Coil
- Sensitivity: 95dB
- Nominal Impedance: 4 OHM
- Frequency Response: 85-6KHZ
- Mounting Depth: 2.5"

PRO-GM6.4B

**6.5" MIDRANGE LOUDSPEAKER
WITH BULLET**

4 OHMS

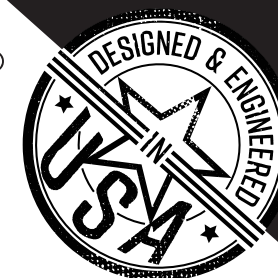
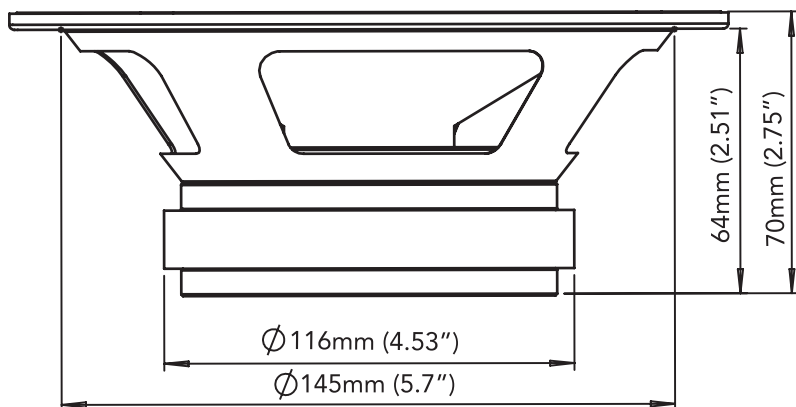
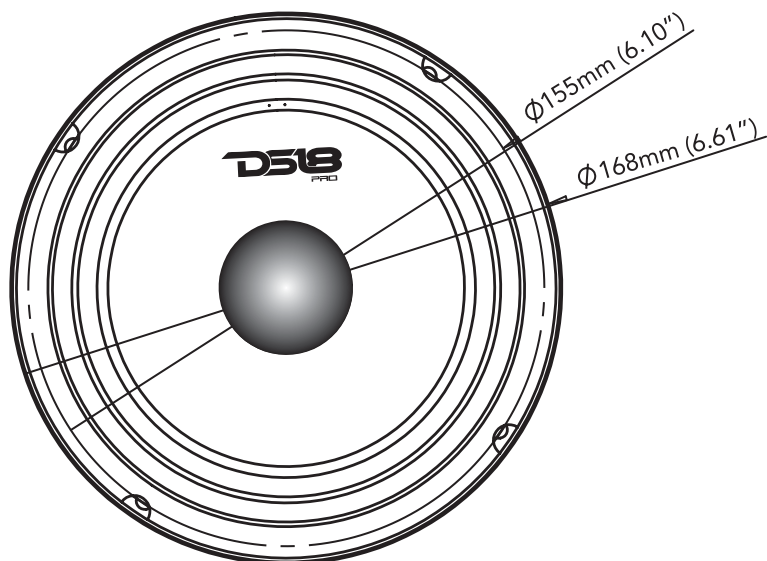
SPL vs. FREQ





PRO-GM6.4B

6.5" MIDRANGE LOUDSPEAKER WITH BULLET



PRO-GM6.4B 6.5" MIDRANGE LOUDSPEAKER WITH BULLET

SPECIFICATIONS:

Overall Diameter	168mm / 6.61"
Baffle Cutout Diameter	145mm / 5.70"
Mounting Depth	64mm / 2.51"
Nominal Impedance	4 OHM
Rms Power Handling	140 Watts
Maximum Power Handling	480 Watts
Sensitivity (1w/1m)	95dB
Frequency Response	85-6KHz
Voice Coil Diameter	38.6mm / 1.5"
Winding Material	KCCAW
Magnet Weight	Ferrite 23 Oz.
Basket Material	Steel

THIELE, SMALL PARAMETERS

Fs	130Hz
Re	3.2 OHM
Qes	0.529
Qms	6.376
Qts	0.489
Vas	5.471dm ³