



## PRO-GM8

Black Color Paper Woofer Cone,  
Cloth Surround, Steel Frame

8" Nominal Basket Diameter

580 Watts MAX Power

190 Watts RMS Power

1.5" High Temperature Kapton Voice Coil

Sensitivity: 93dB

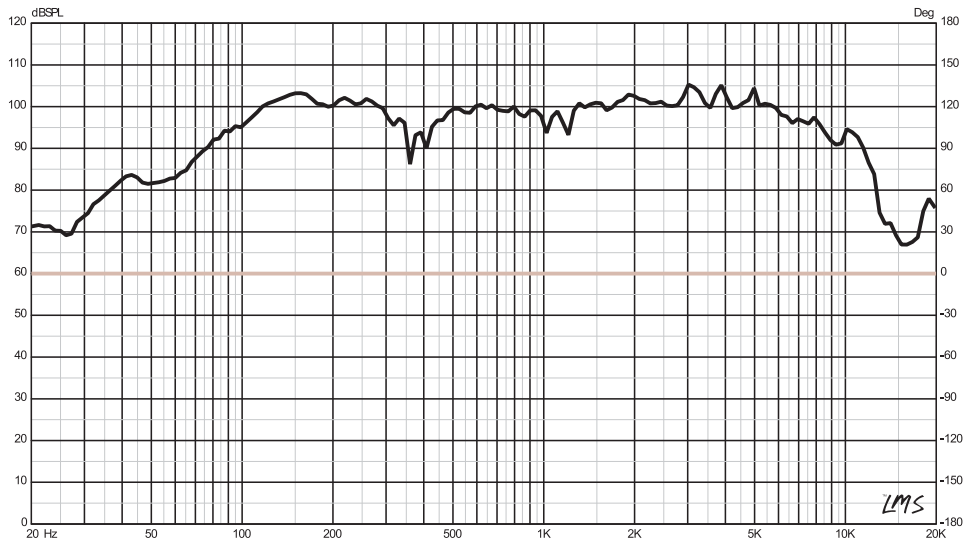
Nominal Impedance: 8 OHM

High Energy Magnet: 30 oz

Frequency Response: 90-10KHz

Mounting Depth: 3.2"

SPL vs. FREQ

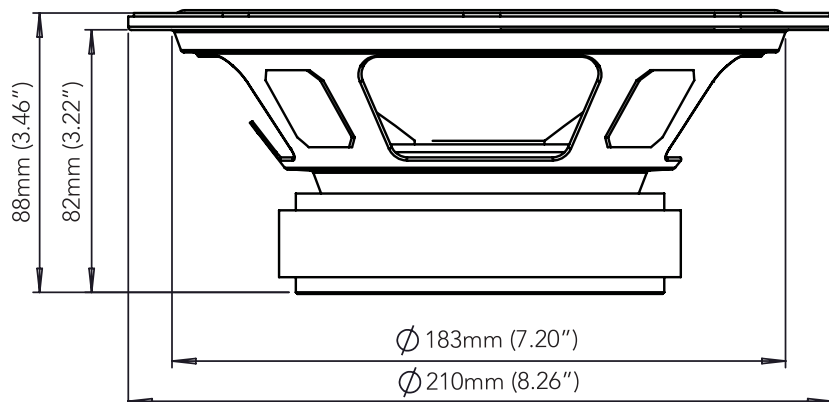
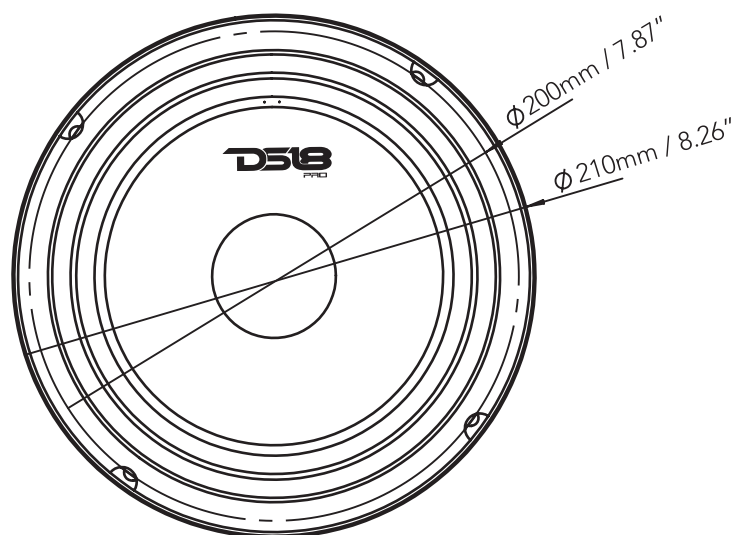


## PRO-GM8

8" MIDRANGE LOUDSPEAKER



## PRO-GM8 8" MIDRANGE LOUDSPEAKER



### SPECIFICATIONS:

Overall Diameter	210mm / 8.26"
Baffle Cutout Diameter	183mm / 7.2
Mounting Depth	82mm / 3.22"
Nominal Impedance	8 OHM
Rms Power Handling	190 Watts
Maximum Power Handling	580 Watts
Sensitivity (1w/1m)	93dB
Frequency Response	90-10KHz
Voice Coil Diameter	38.6mm / 1.5"
Winding Material	KCCAW
Magnet Weight	Ferrite 30 Oz.
Basket Material	Steel

### PRO-GM8 8" MIDRANGE LOUDSPEAKER

### THIELE, SMALL PARAMETERS

Fs	100Hz
Re	6.5 OHM
Qes	0.983
Qms	8.648
Qts	0.883
Vas	11.078dm <sup>3</sup>

View [other car speakers](#) made by DS18 on our website.