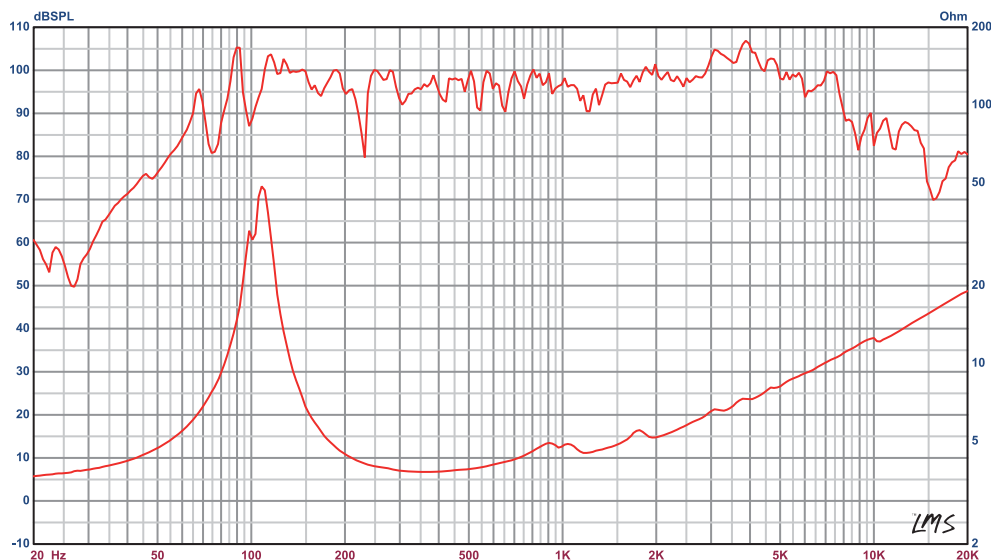




# PRO-GM8.4B

- Black Color Paper Woofer Cone
- Cloth Surround, Black Stamp Basket
- 8" Nominal Basket Diameter with Bullet
- Magnet Structure: 30 oz with Rubber Boot Cover
- 580 Watts MAX Power
- 190 Watts RMS Power
- 1.5" High Temperature Kapton Voice Coil
- Sensitivity: 96dB
- Nominal Impedance: 4 OHM
- Frequency Response: 80-6KHZ
- Mounting Depth: 3.11"/ 79 mm

SPL vs. FREQ



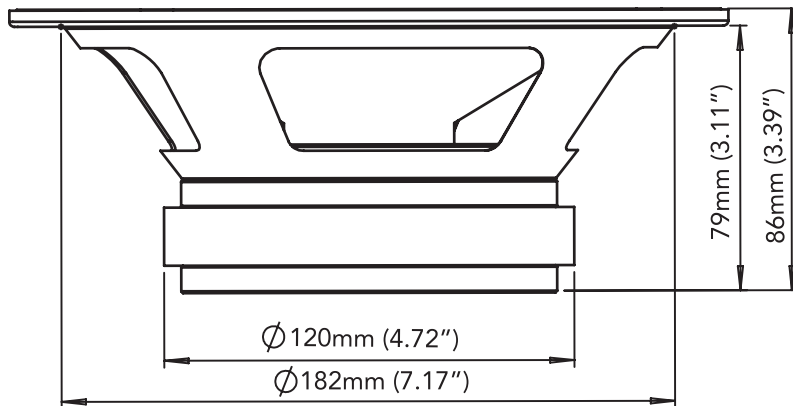
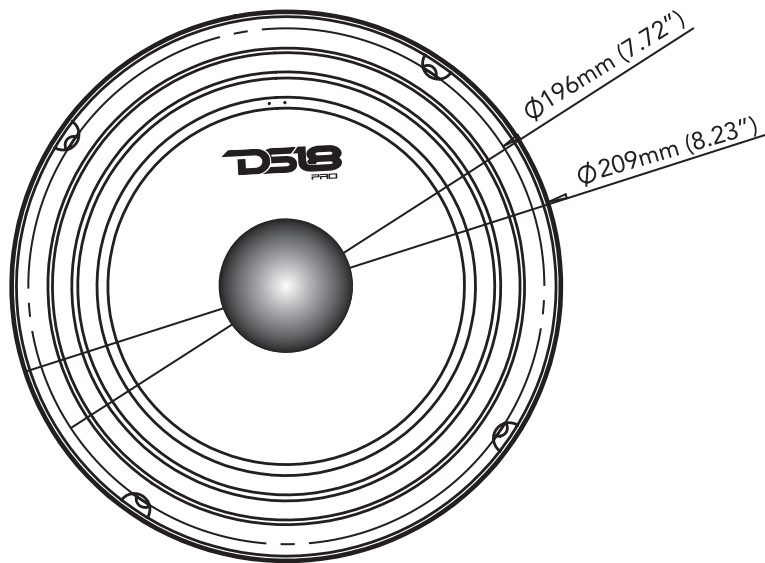
# PRO-GM8.4B

8" MIDRANGE LOUDSPEAKER  
WITH BULLET  
4 OHMS



## PRO-GM8.4B

8" MIDRANGE LOUDSPEAKER  
WITH BULLET



## PRO-GM8.4B

8" MIDRANGE LOUDSPEAKER WITH BULLET

### SPECIFICATIONS:

Overall Diameter	209mm / 8.23"
Baffle Cutout Diameter	182mm / 7.17"
Mounting Depth	79mm / 3.11"
Nominal Impedance	4 OHM
Rms Power Handling	190 Watts
Maximum Power Handling	580 Watts
Sensitivity (1w/1m)	96dB
Frequency Response	80-10KHz
Voice Coil Diameter	38.6mm / 1.5"
Winding Material	KCCAW
Magnet Weight	Ferrite 30 Oz.
Basket Material	Steel

### THIELE, SMALL PARAMETERS

Fs	110Hz
Re	3.2 OHM
Qes	0.726
Qms	7.857
Qts	0.665
Vas	17.832dm <sup>3</sup>