



## PRO-GM6B

Black Color Paper Woofer Cone

Cloth Surround, Black Stamp Basket

6.5"Nominal Basket Diameter With Bullet

Magnet Structure: 23 Oz with Rubber Boot Cover

480 Watts MAX Power

140 Watts RMS Power

1.5" High Temperature Kapton Voice Coil

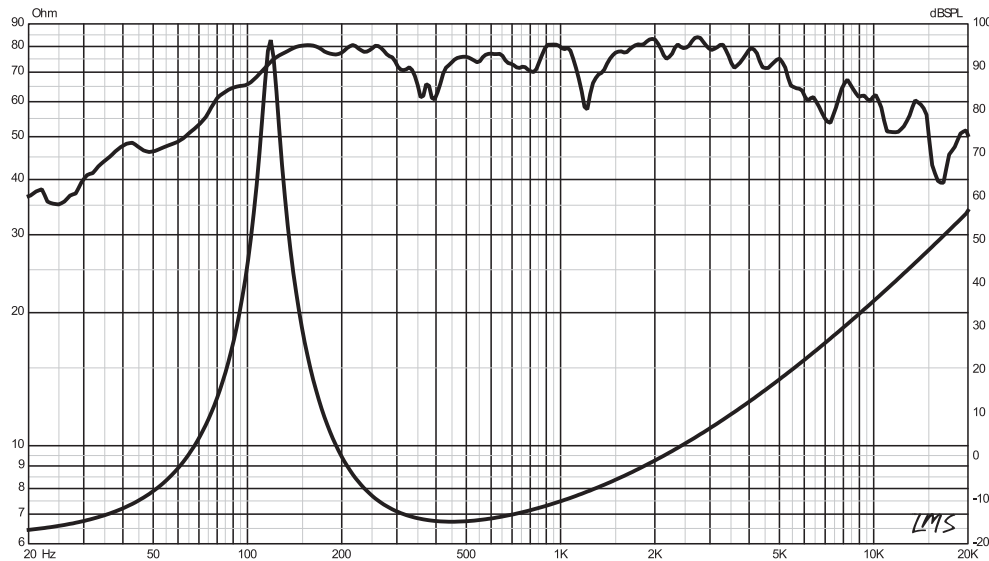
Sensitivity: 94dB

Nominal Impedance: 8 OHM

Frequency Response: 160-10KHZ

Mounting Depth: 2.5"

SPL vs. FREQ



## PRO-GM6B

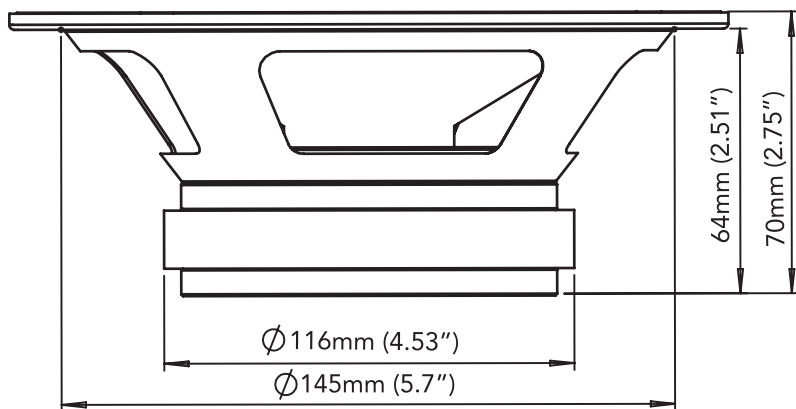
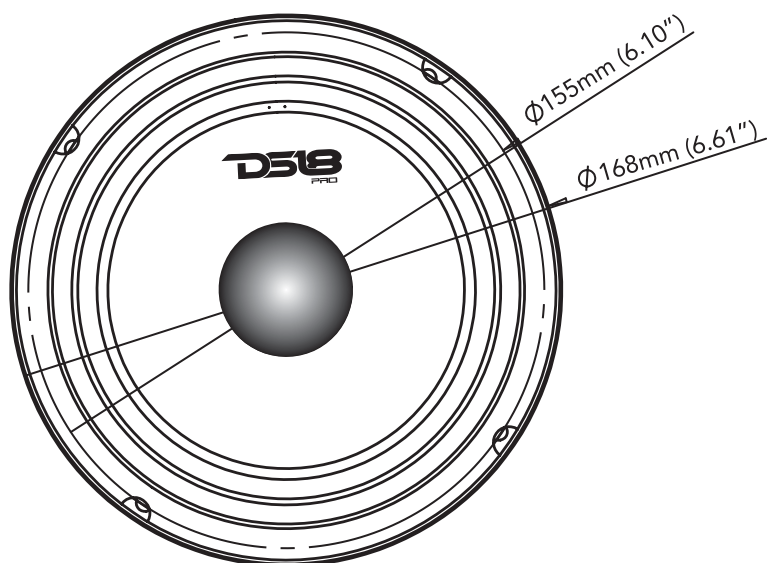
**6.5" MIDRANGE** LOUDSPEAKER  
WITH BULLET

OWNER'S MANUAL



## PRO-GM6B

### 6.5" MIDRANGE LOUDSPEAKER WITH BULLET



#### PRO-GM6B 6.5" MIDRANGE LOUD SPEAKER WITH BULLET

#### SPECIFICATIONS:

Overall Diameter	168mm / 6.61"
Baffle Cutout Diameter	145mm / 5.70"
Mounting Depth	64mm / 2.51"
Nominal Impedance	8 OHM
Rms Power Handling	140 Watts
Maximum Power Handling	480 Watts
Sensitivity (1w/1m)	94dB
Frequency Response	160-10KHz
Voice Coil Diameter	38.6mm / 1.5"
Winding Material	KCCAW
Magnet Weight	Ferrite 23 Oz.
Basket Material	Steel

#### THIELE, SMALL PARAMETERS

Fs	118Hz
Re	6.2 OHM
Qes	0.772
Qms	9.523
Qts	0.714
Vas	5.280dm <sup>3</sup>