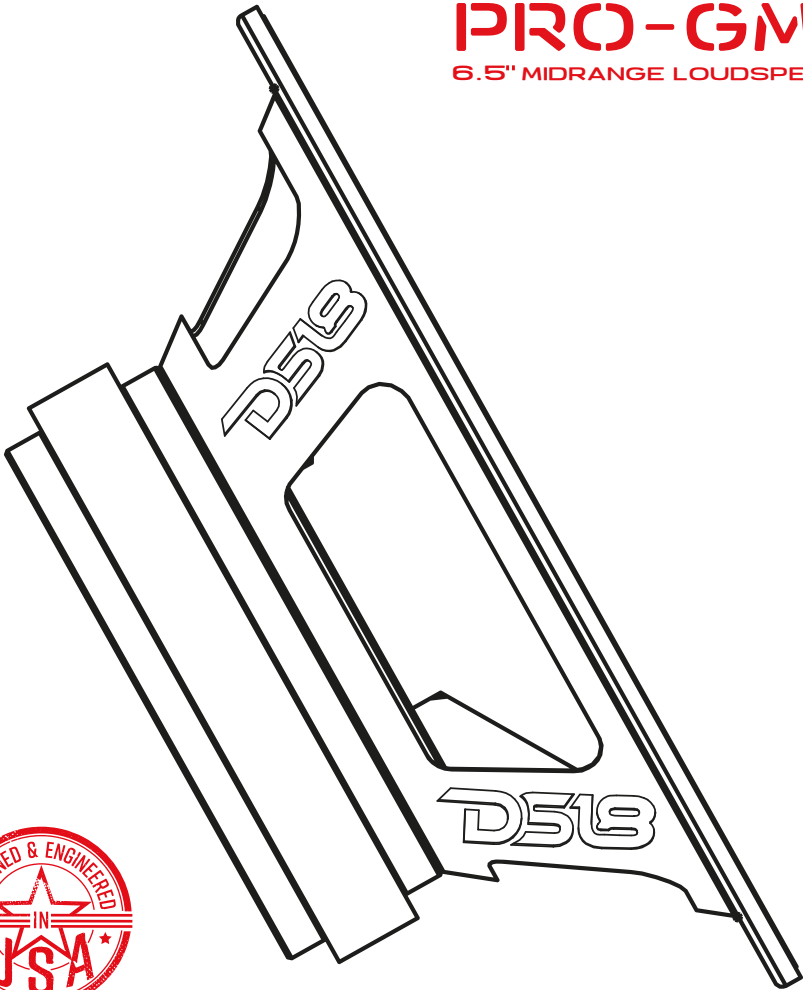


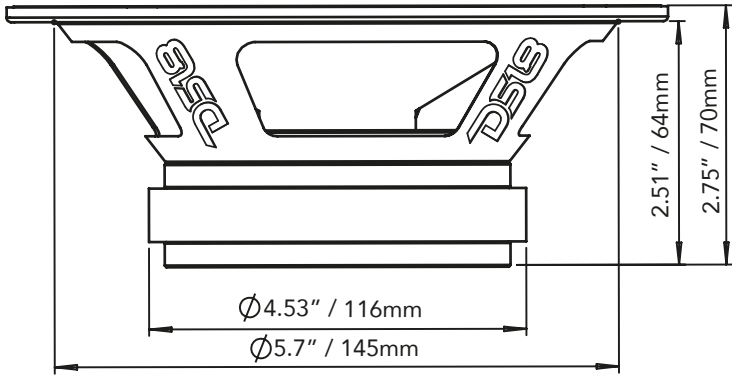
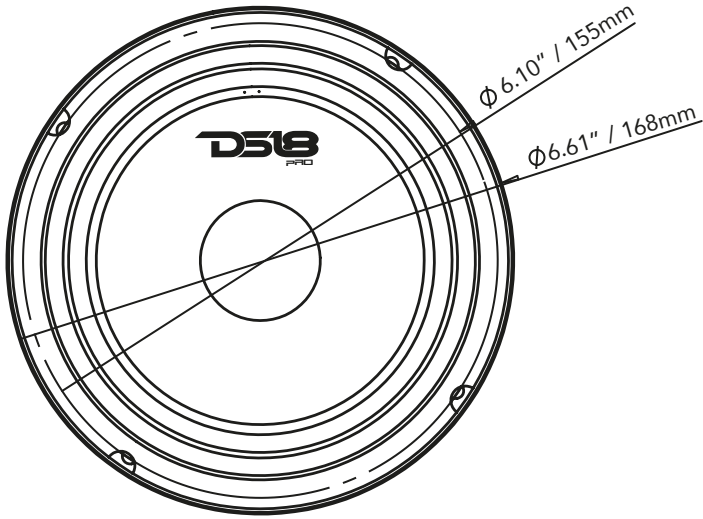


D518[®]
PRO

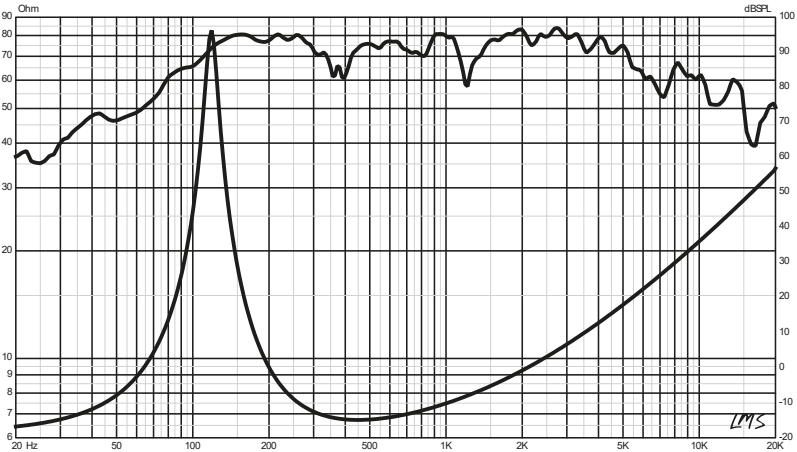
OWNER'S MANUAL
PRO-GM6
6.5" MIDRANGE LOUDSPEAKER



PRO-GM6



SPL vs. FREQ





Specifications:

Nominal Diameter	6.5"
Nominal Impedance	8 OHM
RMS Power Handling.....	140W
Maximum Power Handling	480W
Sensitivity (1w/1m)	92dB
Frequency Response	100Hz-8KHz
Recommended Hi Pass Crossover.....	120Hz

Midrange:

Voice Coil Diameter.....	1.5"
Voice Coil Former Material	Kapton
Winding Material	KCCAW
Cone Material.....	Paper
Surround Material.....	Cloth
Basket Material.....	Steel
Magnet Material.....	Ferrite
Magnet Weight.....	23 oz

Thiele & Small Parameters:

Equivalent Volume	Vas.....	5.280L
Free Air Resonance	Fs.....	118 Hz
Mechanical Factor	Qms.....	9.523
Electrical Factor	Qes.....	0.772
Total Factor	Qts.....	0.714
CD Resistance	Re.....	6.2 ohm

Measurements:

Overall Diameter.....	6.61"/168 mm
Overall Depth.....	2.75"/70 mm
Front Mount Baffle Cutout.....	5.7"/145 mm
Mouting Depth.....	2.5"/64mm
Motor Diameter.....	4.53"/116mm

PRO-GMS

WE LIKE IT LOUD

Learn more about car audio and electronics we have.