



**PRO-GM6.4B**

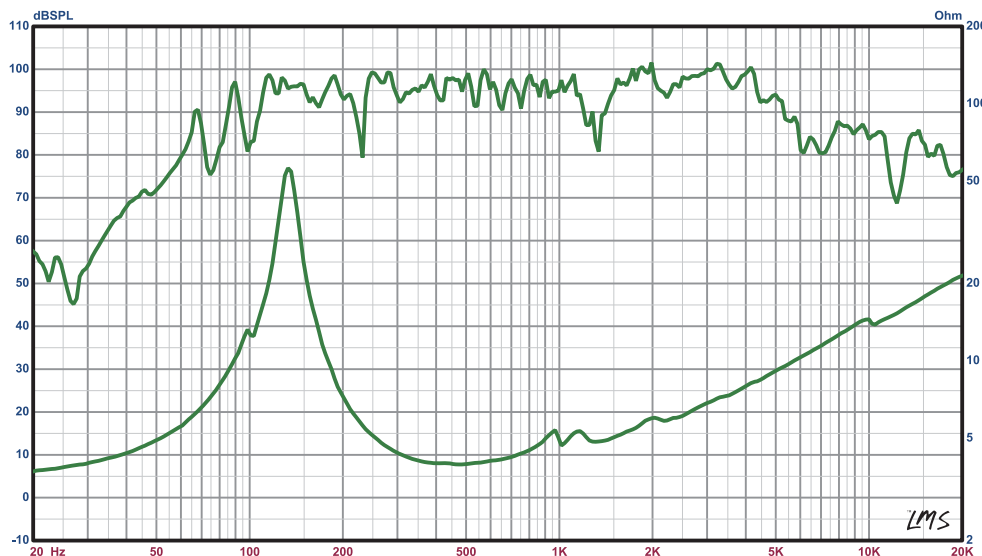
Black Color Paper Woofer Cone  
Cloth Surround, Black Stamp Basket  
6.5" Nominal Basket Diameter with Bullet  
Magnet Structure: 23 oz with Rubber  
Boot Cover  
480 Watts MAX Power  
140 Watts RMS Power  
1.5" High Temperature Kapton Voice Coil  
Sensitivity: 95dB  
Nominal Impedance: 4 OHM  
Frequency Response: 85-6KHZ  
Mounting Depth: 2.5"

**PRO-GM6.4B**

**6.5" MIDRANGE LOUDSPEAKER  
WITH BULLET**

**4 OHMS**

SPL vs. FREQ

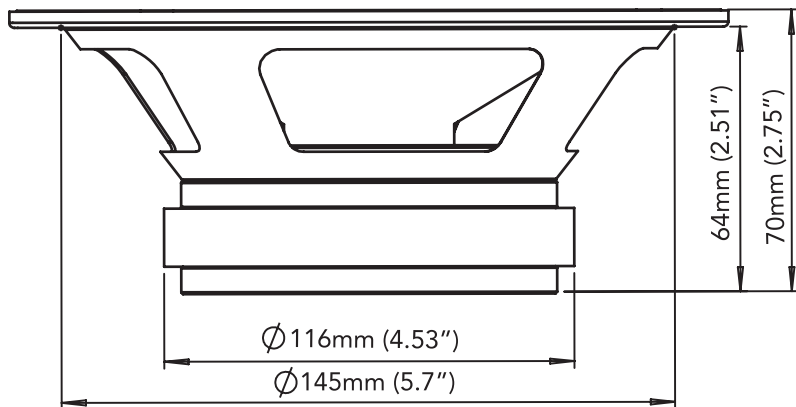
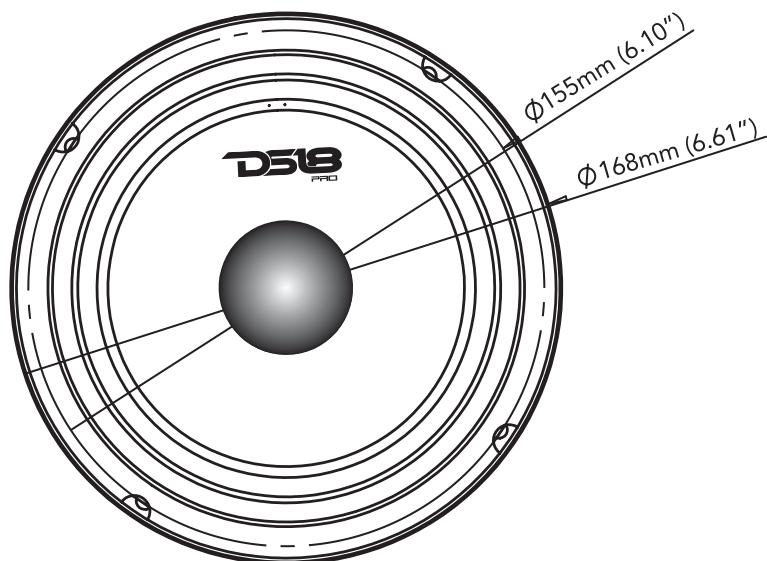


LMS



## PRO-GM6.4B

6.5" MIDRANGE LOUDSPEAKER  
WITH BULLET



PRO-GM6.4B  
6.5" MIDRANGE LOUDSPEAKER WITH BULLET

### SPECIFICATIONS:

Overall Diameter	168mm / 6.61"
Baffle Cutout Diameter	145mm / 5.70"
Mounting Depth	64mm / 2.51"
Nominal Impedance	4 OHM
Rms Power Handling	140 Watts
Maximum Power Handling	480 Watts
Sensitivity (1w/1m)	95dB
Frequency Response	85-6KHz
Voice Coil Diameter	38.6mm / 1.5"
Winding Material	KCCAW
Magnet Weight	Ferrite 23 Oz.
Basket Material	Steel

### THIELE, SMALL PARAMETERS

Fs	130Hz
Re	3.2 OHM
Qes	0.529
Qms	6.376
Qts	0.489
Vas	5.471dm <sup>3</sup>