

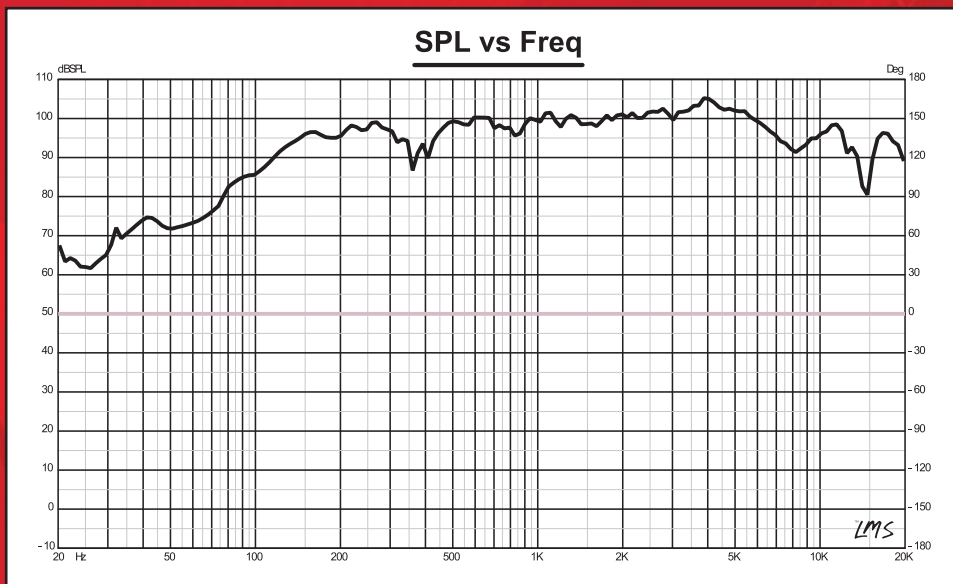
DS18[®]

PRO

PRO-FR6NEO MIDRANGE LOUSPEAKER

6.5"

RMS Power Handling: 225 Watts
MAX Power Handling: 450 Watts
Frequency Response: 200Hz-16KHz
Voice Coil Diameter: 1.5" (38.6 mm)
Voice Coil Material: Kapton
Nominal Impedance: 4 OHM
Sensitivity (1W/1M): 96 dB
Magnet Weight: 30.5 oz
Magnet Material: Neodymium
Mounting Depth: 61.5 mm / 2.42"



DS18[®]

PRO

PRO-FR6NEO

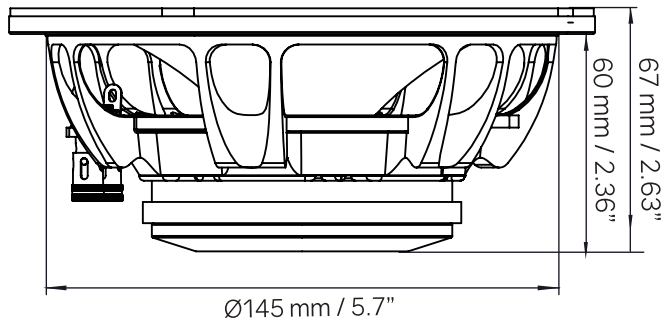
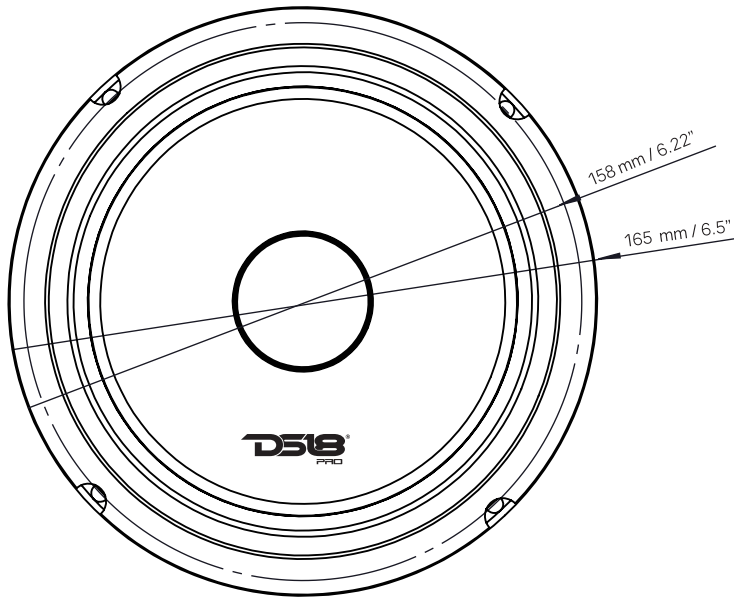
6" NEODYMIUM MIDRANGE
LOUDSPEAKER WITH BULLET

4OHM



OWNER'S MANUAL

PRO-FRGNEO



PRO-FRGNEO

NEODYMIUM MIDRANGE LOUDSPEAKER WITH BULLET

Data Sheet

Specifications:

Nominal Diameter	6.5"
Nominal Impedance	4 ohms
RMS Power Handling	225 Watts
MAX Power Handling	450 Watts
Sensitivity (1w/1m)	96dB
Frequency Response	200Hz - 16KHz
Voice Coil Diameter.....	1.5" (38.6 mm)
Voice Coil Former Material.....	Kapton
Winding Material.....	KCCAW
Basket Material.....	Aluminum
Magnet Material.....	Neodymium
Recommended Hi Pass Crossover	200 Hz

Thiele & Small Parameters:

Equivalent Volume	Vas.....	4.288 Ltr
Excursion	Xmax.....	6.8 mm
Free Air Resonance	Fs.....	151.63 Hz
Mechanical Factor	Qms.....	9.143
Electrical Factor	Qes.....	0.319
Total Factor	Qts.....	0.309
Dc Resistance	Re.....	3.2 ohms

Measurements:

Overall Diameter.....	165 mm (6.5")
Front Mount Baffle Cutout	145 mm (5.7")
Mounting Depth.....	60 mm (2.36")
Overall Depth.....	67 mm (2.63")