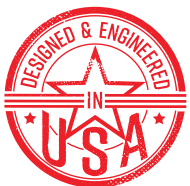
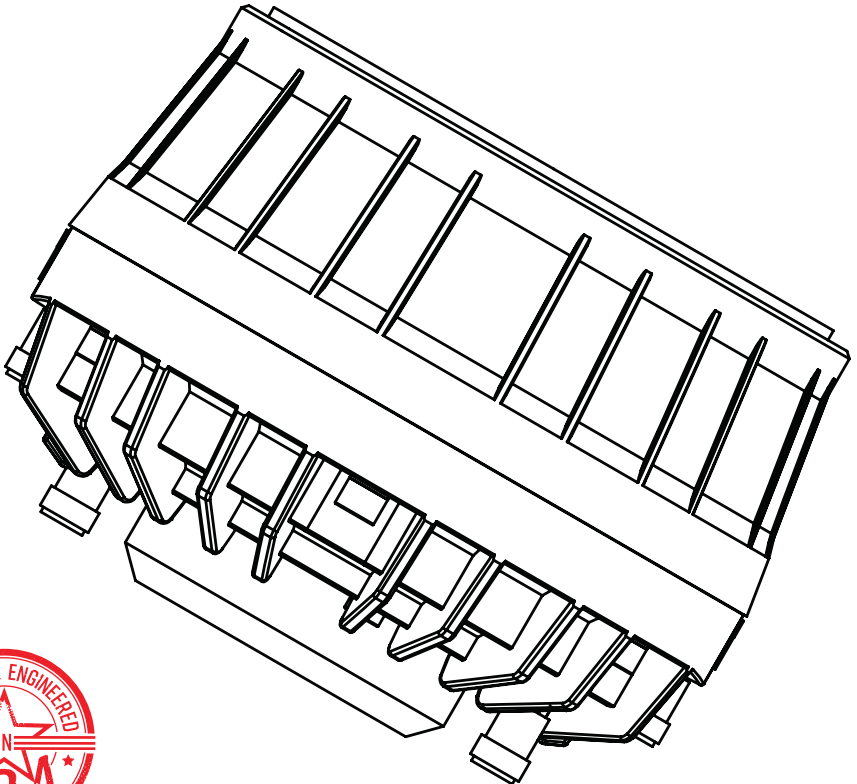




**DS18**<sup>®</sup>  
PRO

# OWNER'S MANUAL PRO-DRNCOAX

NEODYMIUM POLYESTER MID-DRIVER + BULLET  
TWEETER COAXIAL COMPRESSION DRIVER





**GENERAL SPECIFICATIONS:**

Throat Diameter ..... 2"/50.8mm  
Installation Type..... Bolt-on  
Sensitivity (1w/1m) ..... 118dB  
Frequency Response ..... 315Hz-20KHz

**MID-DRIVER SPECIFICATIONS**

Peak Power Handling ..... 640W  
Program Power Handling ..... 320W  
AES Power Handling ..... 160W  
Frequency Response ..... 315Hz - 20KHz  
Recommended Band-Pass Crossover ..... 630Hz - 5KHz

**TWEETER SPECIFICATIONS**

Peak Power Handling ..... 240W  
Program Power Handling ..... 120W  
AES Power Handling ..... 60W  
Frequency Response ..... 4KHz - 20KHz  
Recommended Hi-Pass Crossover ..... 5KHz

**MOTOR**

Tweeter Voice Coil Diameter ..... 1.75"/44.4mm  
Mid-Drive Voice Coil Diameter ..... 3.5"/90mm  
Voice Coil Former Material ..... Kapton  
Winding Material ..... CCAW  
Diaphragm Material ..... Polyester  
Magnet Material..... Neodymium

**MEASUREMENTS**

Overall Diameter ..... 5.5"/140 mm  
Overall Depth ..... 3.9"/101 mm  
Bolt Pattern..... M6 - 4"/102mm