



PRO-DRN3

Throat Diameter: 2" (50.8mm)

Mounting Type: Bolt-On

Nominal Impedance: 8 ohm

RMS Power Handling: 300 Watts

MAX Power Handling: 600 Watts

Sensitivity (1W/1M): 110 dB

Frequency Range: 500 Hz - 18 KHz

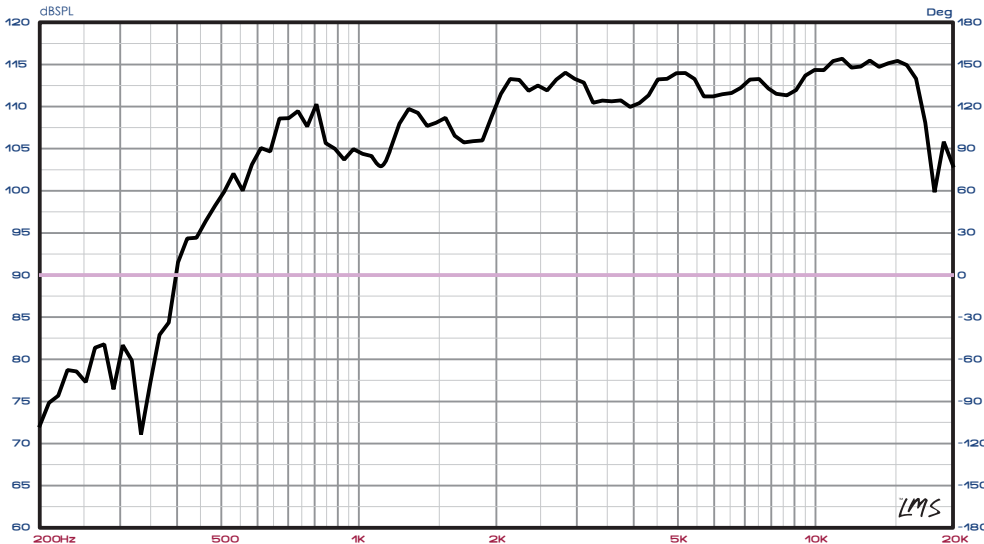
Diaphragm Material: Titanium

Voice Coil Diameter: 3" (75 mm)

Voice Coil Material: Pure Aluminum

Magnet Material: Neodymium

SPL vs Freq



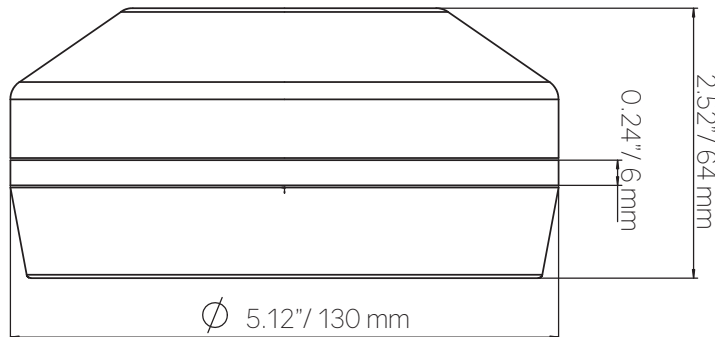
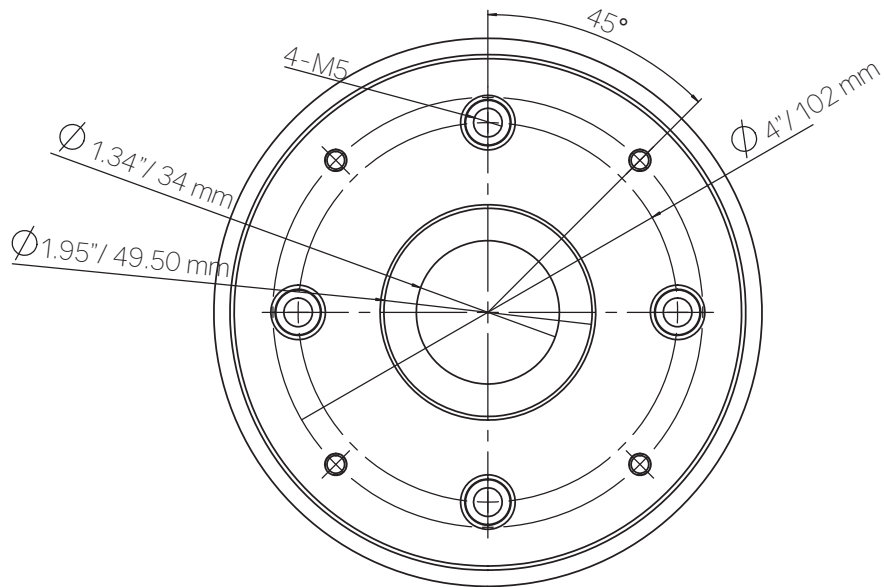
PRO-DRN3

3" **NEODYMIUM DRIVER**

OWNER'S MANUAL

PRO-DRN3

3" NEODYMIUM DRIVER



Data Sheet

Specifications

Nominal Impedance.....	8 OHMS
RMS Power Handling.....	300W
MAX Power Handling.....	600W
Sensitivity (1w/1m).....	110 dB
Frequency Response.....	500 HZ - 18 KHZ
Recommended Hi Pass Crossover.....	800Hz
Voice Coil Diameter.....	3" (75mm)
Diaphragm Material.....	Titanium
Frame Material.....	Aluminum
Basket Material.....	Aluminum
Magnet Material.....	Neodymium
Winding Material.....	Pure Aluminium Ribbon Wire

Measurements

Overall Depth.....	2.52" (64 mm)
Overall Width.....	5.12" (130 mm)
Bolt Pattern Horn.....	Ø 4" (102 mm)

PRO-DRN3
3" NEODYMIUM DRIVER