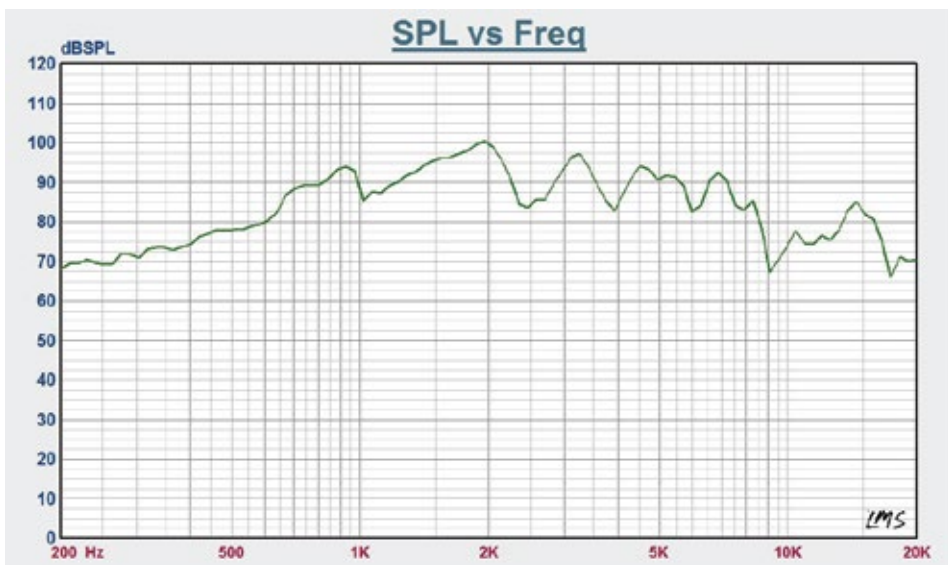




PRO-DR250

Phenolic Diaphragm
Black Die-Cast Aluminum Body
Throat Diameter: 1"
RMS Power Handling: 200 Watts
MAX Power Handling: 300 Watts
Frequency Response: 650Hz-13KHz
Voice Coil Diameter: 2"
Diaphragm Material: Phenolic
Nominal Impedance: 8 ohms
Sensitivity (1W/1M): 94dB
Magnet Weight: 10.5 oz
Magnet Material: Ferrite
Bolt Type: Screw Down



PRO-DR250

2" VC PHENOLIC DRIVER 8 OHM

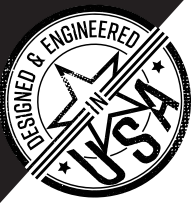


300W MAX

200W RMS

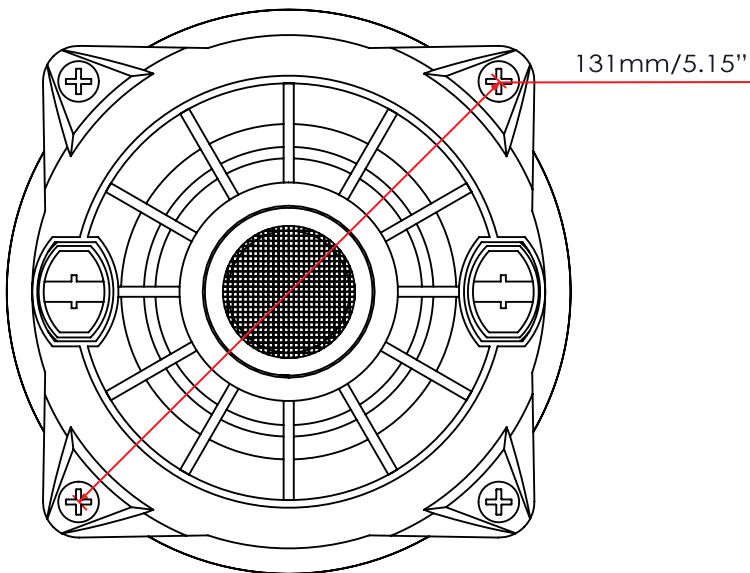
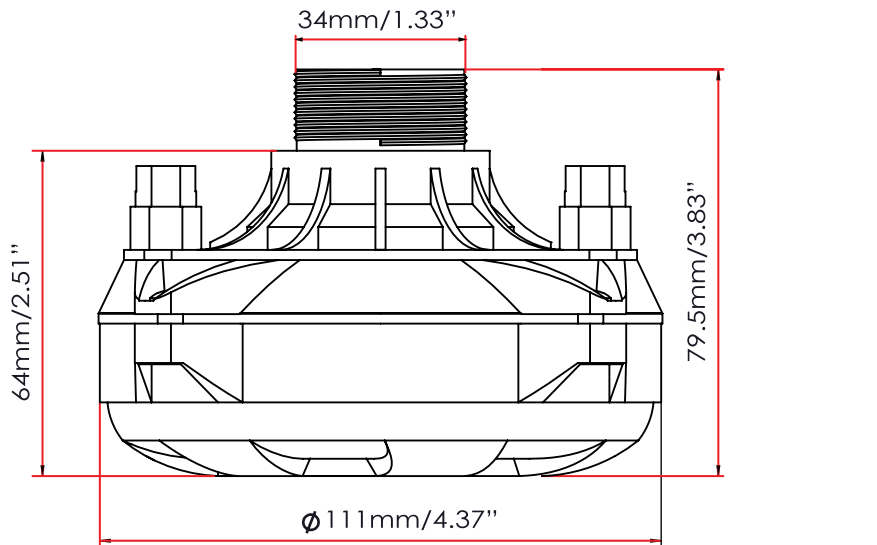
8 OHMS

OWNER'S MANUAL



PRO-DR250

2" VC PHENOLIC DRIVER 8 OHM



Data Sheet

PRO-DR250
2" VC PHENOLIC DRIVER 8 OHM

Specifications

Nominal Impedance	8 ohms
Throat Diameter	1"
RMS Power Handling	200 Watts
MAX Power Handling	300 Watts
Sensitivity (1w/1m)	94 dB
Frequency Response	650Hz-13KHz
Recommended Hi Pass Crossover	800 Hz
Voice Coil Diameter	2"
Voice Coil Former Material	KSV
Diaphragm Material	Phenolic
Magnet Material	Ferrite
Magnet Weight	10.5 oz
Bolt Type	Screw Down

Measurements

Overall Diameter	111mm/ 4.37"
Overall Depth	79.5mm / 3.83
Mounting Depth	64 mm / 2.51"

Shipping Info

Gross Single Unit Weight	
Single Unit Box Dimensions W x L x H	
Quantity of Units in Master Carton	
Gross Master Carton Weight	
Master Carton Dimensions W x L x H	