

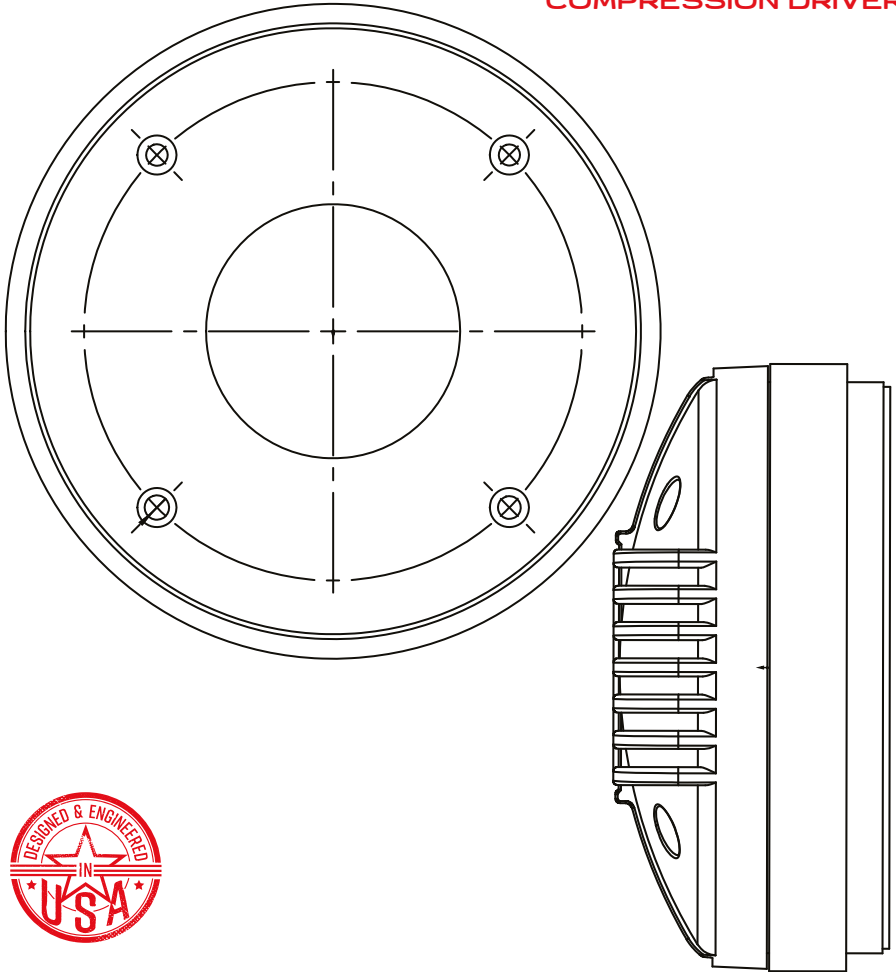


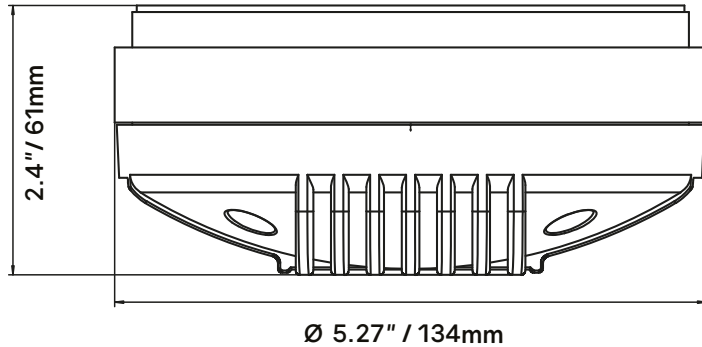
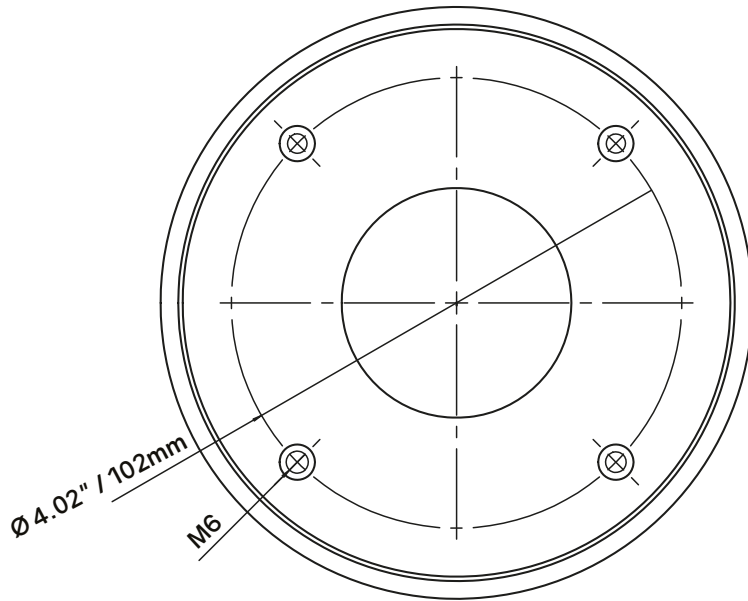
DS18[®]

PRO

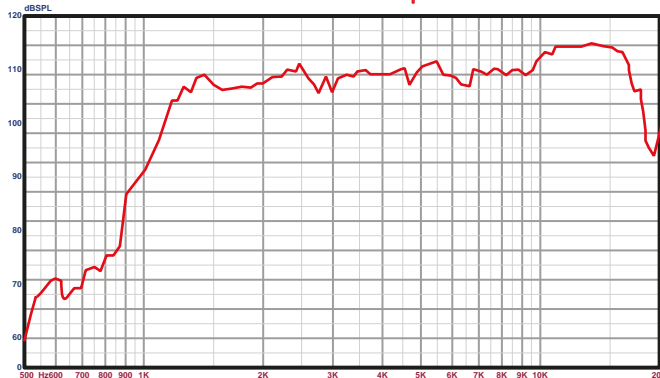
PRO-D1P

2.03" VC PHENOLIC
COMPRESSION DRIVER





SPL vs Freq



SPECIFICATIONS:

Throat Diameter.....	2"(50mm)
Installation Type.....	Bolt-on
Nominal Impedance.....	8 ohm
AES Power handling.....	160W
Program Power Handling.....	320W
Peak Power handling.....	640W
Sensitivity (1w/1m).....	110dB
Frequency Response.....	500Hz-18KHz
Recommended Hi Pass Crossover.....	800Hz

MOTOR:

Voice Coil Diameter.....	2.03"
Voice Coil Former Material.....	Kapton
Winding Material.....	KCCAW
Diaphragm Material.....	Phenolic
Magnet Material.....	Ferrite
Magnet Weight.....	35 Oz

MEASUREMENTS:

Overall Diameter.....	5.27" / 134 mm
Overall Depth.....	2.4" / 61 mm
Bolt Pattern/Type.....	4" / 102 mm - M6