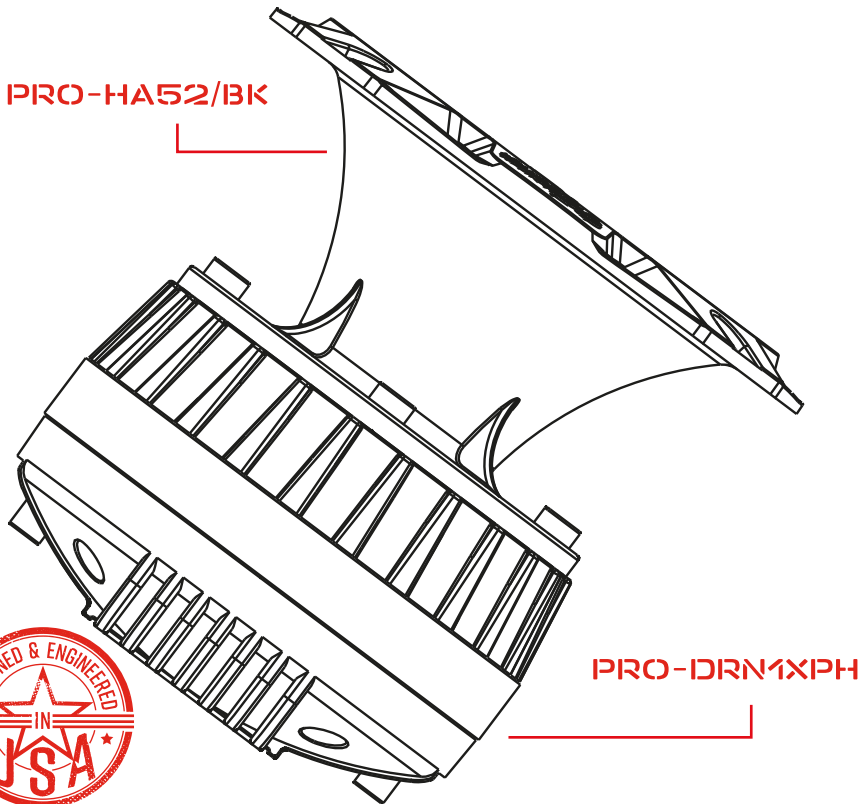




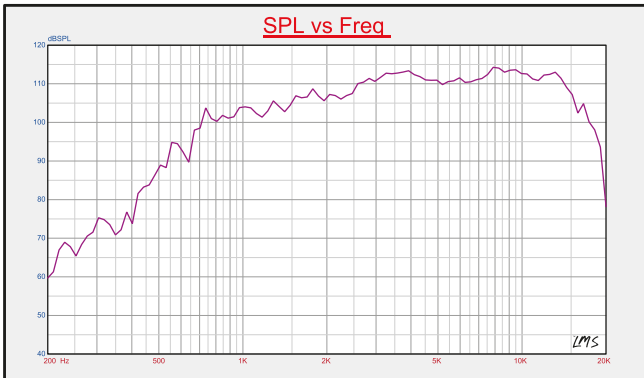
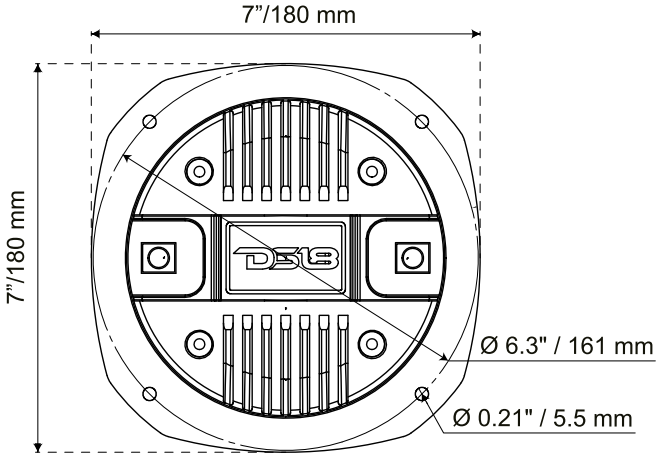
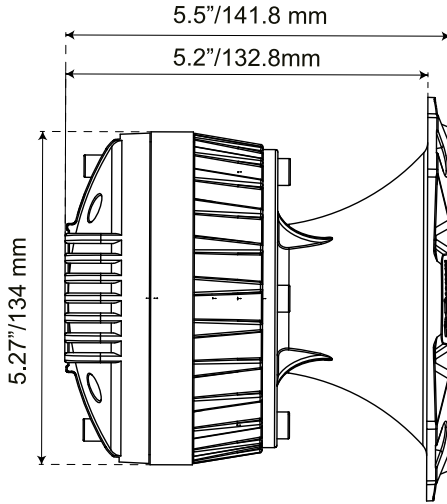
DS18[®]

OWNER'S MANUAL PRO-DKN1XSPH

NEODYMIUM PHENOLIC COMPRESSION
DRIVER WITH SHORT ALUMINUM HORN KIT



PRO-DKN1XSPH





Specifications:

Throat Diameter	2"/50.8mm
Installation Type.....	Bolt-on
Nominal Impedance	8 OHMS
Peak Power Handling	680W
Program Power Handling	340W
AES Power Handling	170W
Sensitivity (1w/1m)	117 dB
Frequency Response	630Hz-16KHz
Recommended HI Pass Crossover	900 Hz

Motor

Voice Coil Diameter.....	2.03"/51mm
Voice Coil Former Material	Kapton
Winding Material	CCA
Diaphragm Material	Phenolic
Magnet Material.....	Neodymium
Magnet size	5.27x 0.15"/133.8x 3.81mm

Measurements

Overall Diameter	7"/180 mm
Overall Depth	5"/141.8 mm
Bolt Size	Ø 0.21"/5.5 mm
Mounting Depth	5.22"/132.8 mm
Mounting Hole Diameter.....	6.3"/161 mm
Motor Diameter.....	5.27"/134 mm

PRO-DKXSPH