

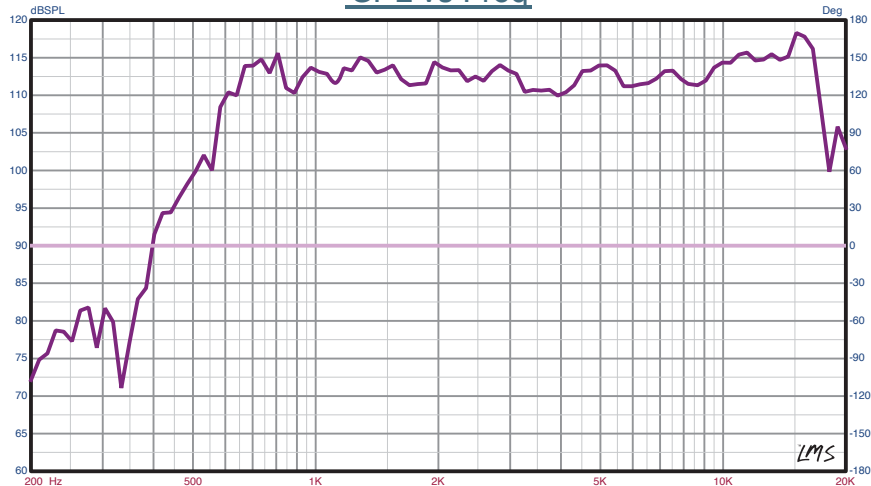
DS18[®]

PRO

PRO-DKH2 TITANIUM COMPRESSION DRIVER

Peak Power Handling: 800 Watts
Program Power Handling: 400 Watts
AES Rated Power: 200 Watts
Sensitivity (1w/1m): 109dB
Frequency Response: 500Hz-18.5KHz
Nominal Impedance: 8 ohm
Throat Diameter: 2"
Recommended Hi Pass Crossover: 800Hz
Voice Coil Diameter: 3"
Diaphragm Material: Titanium
Magnet Material: Ferrite
Magnet Weight: 65 oz
Bolt Type: Bolt-on

SPL vs Freq



DS18[®]

PRO

3" VC
TITANIUM COMPRESSION
DRIVER WITH HORN

PRO-DKH2



800W
Peak Power

400W
Program Power

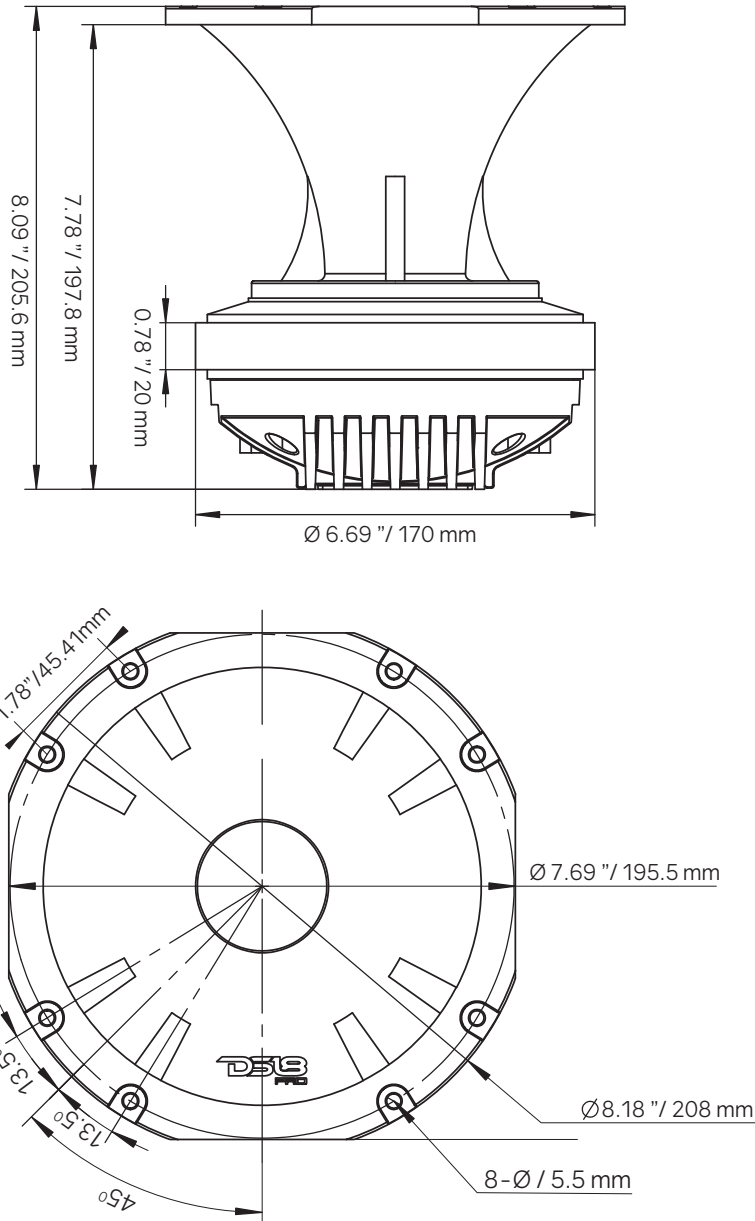
8 OHMS

OWNER'S MANUAL

PRO-DKH2

TITANIUM COMPRESSION DRIVER

Data Sheet



PRO-DKH2 3" VOICE COIL TITANIUM COMPRESSION DRIVER WITH HORN

Specifications

Peak Power Handling	800 Watts
Program Power Handling	400 Watts
AES Rated Power	200 Watts
Sensitivity (1w/1m)	109dB
Frequency Response	500Hz-18.5KHz
Nominal Impedance	8 ohms
Throat Diameter	2"/50.8mm
Recommended Hi Pass Crossover	800 Hz
Voice Coil Diameter	3"/76.19 mm
Diaphragm Material	Titanium
Magnet Material	Ferrite
Magnet Weight	65 oz
Bolt Type	Bolt-on

Measurements

Overall Diameter	6.88"/ 174.8 mm
Overall Depth	8"/ 205.6 mm

Shipping Info

Gross Single Unit Weight.....	3.8kg
Single Unit Box Dimensions W x L x H.....	180x177x210mm
Quantity of Units in Master Carton.....	4PCS/ctn
Gross Master Carton Weight	16.50KG
Master Carton Dimensions W x L x H.....	375x375x230cm