



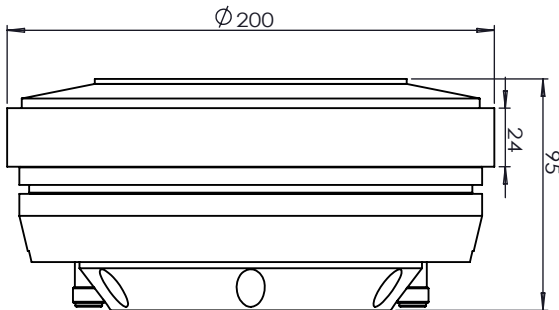
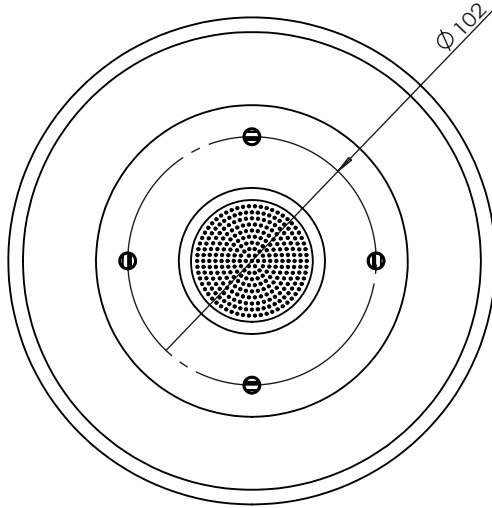
OWNER'S MANUAL

PRO-D3

4" RESIN FILM DIAPHRAGM DRIVER 8 OHMS

PRO-D3

4" RESIN FILM DIAPHRAGM DRIVER 8 OHMS



WE LIKE IT LOUD



Data Sheet

Specifications

Nominal Impedance.....	8 ohm
RMS Power Handling.....	300 Watts
Maximum Power Handling.....	600 Watts
Exit Throat Diameter.....	99.8 mm (4")
Sensitivity (1w/1m).....	104.5 dB
Frequency Response.....	700 - 16.5K Hz
Recommended Hi Pass Crossover.....	800 Hz / 12 oct
Voice Coil Diameter.....	99.8mm (4")
Voice Coil Wire.....	CCAW
Voice Coil Former Material.....	KAPTON
Diaphragm Material.....	Resin
Magnet Weight.....	98 OZ
Magnet Material.....	Ferrite
Flux Density.....	2.1T

Measurements

Overall Diameter.....	200mm (7.87")
Overall Depth.....	95mm (3.74")
Mounting Bolt Circle.....	102mm (4")
Net Weight.....	7.7 KG

Shipping Info

Gross Single Unit Weight.....	16 kg
Single Unit Box Dimensions W x L x H.....	210X210X115 mm
Quantity of Units in Master Carton.....	2 pcs
Gross Master Carton Weight.....	17 kg
Master Carton Dimensions W x L x H.....	440X230X140 mm

PRO-D3
4" RESIN FILM COMPRESSION DRIVER 8 OHMS



PRO-D3

4" RESIN FILM DIAPHRAGM DRIVER 8 OHM

98 Oz HIGH STRENGTH FERRITE MAGNET

4.0" KCCAW VOICE COIL

FREQUENCY RESPONSE 700 - 16.5K Hz

300 WATTS RMS POWER

600 WATTS MAX POWER

IMPEDANCE 8 OHMS

SENSITIVITY 104.5 dB

SPL vs. FREQ

