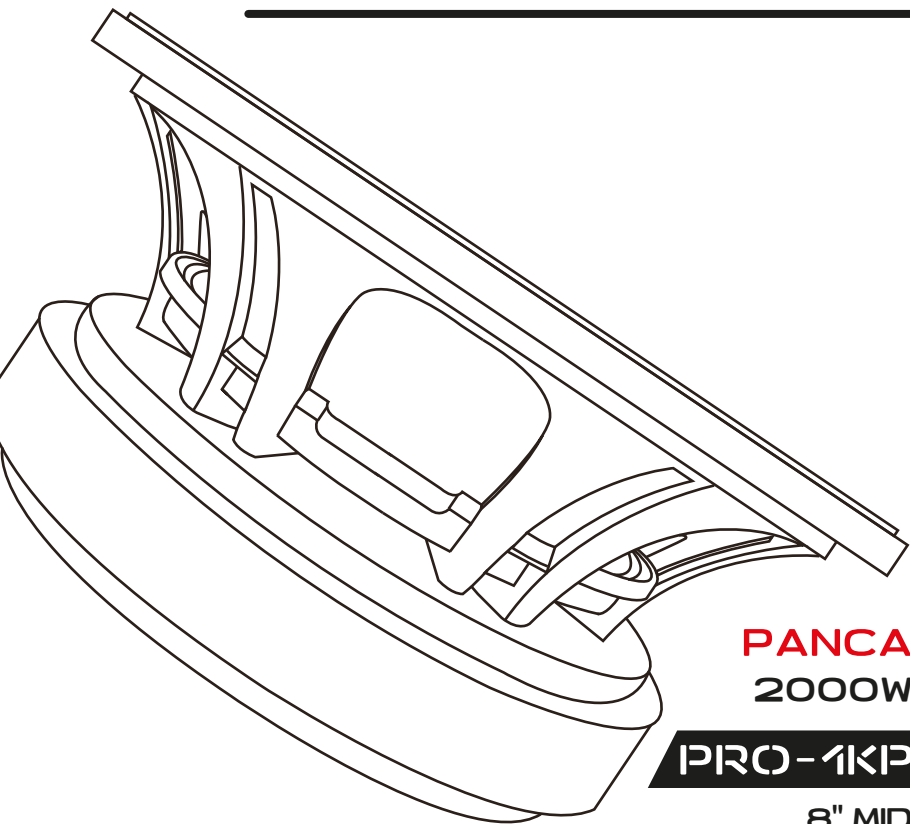


DS18[®]

PRO

OWNER'S MANUAL



PANCADÃO[®]
2000W MAX

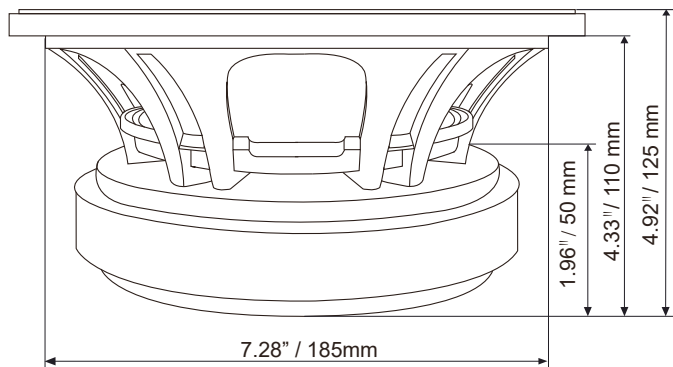
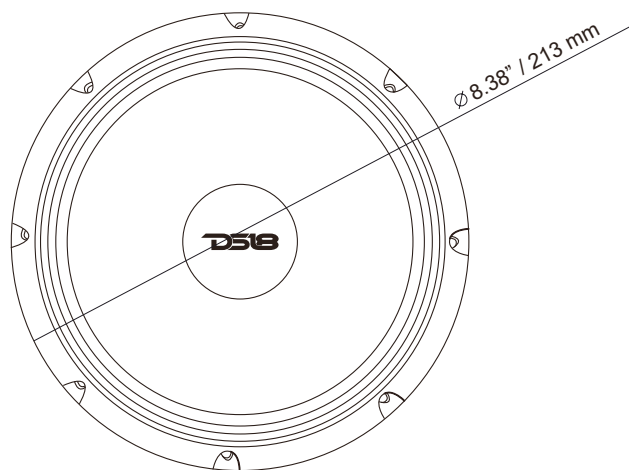
PRO-1KP8.4

8" MID BASS
4 OHMS

DS18[®]
PRO

PRO-1KP8.4
8" MID BASS

PANCADÃO[®]





PRO-1KPB.4 8" MID BASS

SPECIFICATIONS:

Nominal Diameter	8"
Nominal Impedance	4 ohms
RMS Power Handling	1000 W
MAX Power Handling	2000 W
Sensitivity (1w/1m)	96 dB
Frequency Response	110Hz-15kHz
Recommended Hi Pass Crossover	120 Hz

MOTOR

Voice Coil Diameter.....	3"
Voice Coil Former Material	Fiber Glass
Winding Material	CCAW
Cone Material	Paper
Dust Cap Material.....	Paper
Surround Material.....	Cloth
Basket Material	Aluminum
Magnet Material.....	Ferrite
Magnet Weight	90 Oz

THIELE & SMALL PARAMETERS

Equivalent Volume.....	Vas	4.737 L
Free Air Resonance	Fs	120 Hz
Mechanical Factor.....	Qms	11.44
Electrical Factor.....	Qes	0.312
Total Factor.....	Qts	0.304
Dc Resistance	Re	2.8 OHMS
Force Factor	Bl	13.22
Moving Mass	Mms	26.01
Compliance	Cms.....	68.5 mm/N
Voice Coil Inductance	Le	0.763 MH
Diaphragm Area	Sd.....	220.5 cm2
Efficiency Bandwidth Product.....	EBP.....	384.6

MEASUREMENTS

Overall Diameter	8.38" / 213 mm
Overall Depth	4.92" / 125 mm
Front Mount Baffle Cutout	7.28" / 185 mm
Mounting Depth	4.33" / 110 mm
Motor Diameter.....	6.69" / 170 mm



PRO-1KP8.4

8" MID BASS

Nominal Impedance: 4 ohms

RMS Power Handling: 1000 Watts

MAX Power Handling: 2000 Watts

Sensitivity (1w/1m): 96 dB

Frequency Response: 110 Hz - 15 kHz

Voice Coil Diameter: 3"

Basket Material: Aluminum

Magnet Weight: 90 Oz

SPL vs Freq

