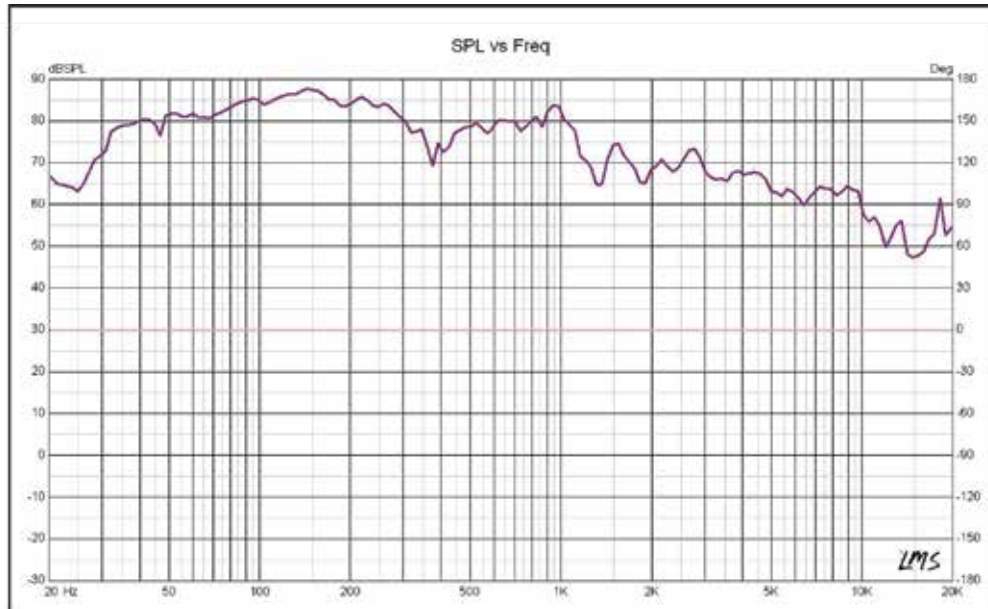




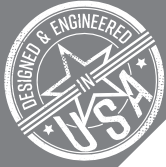
## EXL-X8.2D

8" SUBWOOFER  
LARGE FOAM EDGE AND PAPER  
WITH GLASS FIBER CONE  
130 OZ HIGH STRENGTH  
DOUBLE FERRITE MAGNET  
RED COLOR ALUMINUM BASKET  
2.5" BLACK ALUMINUM 4 LAYER VOICE COIL  
FREQUENCY RESPONSE 38 - 1.0KHz  
2 LAYER CONEX SPIDER  
600 WATTS RMS POWER  
1200 WATTS MAX POWER  
IMPEDANCE 2+2 OHMS  
SENSITIVITY 89.11 dB



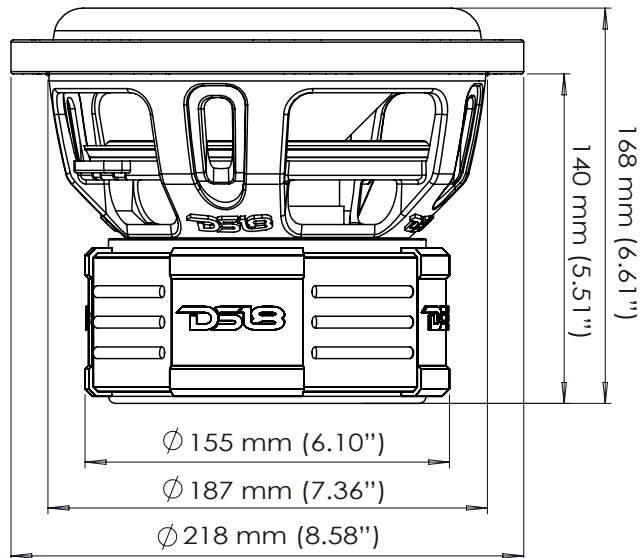
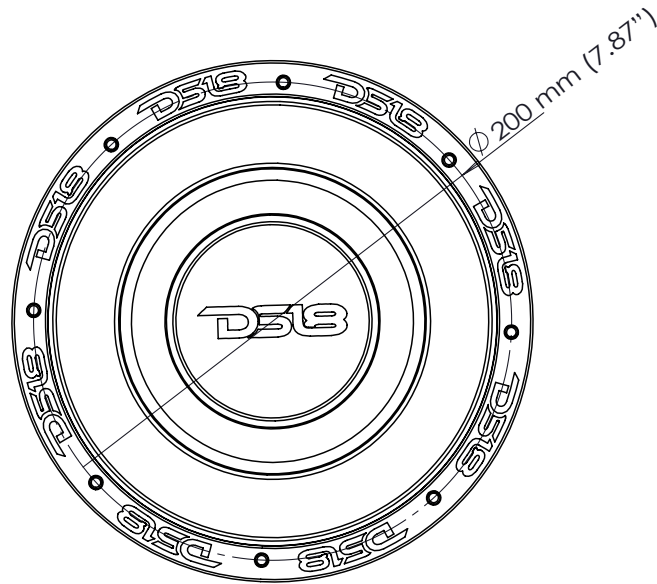
## EXL-X8.2D 8" SUBWOOFER DUAL 2 OHMS

**OWNER'S MANUAL**



# EXL-X8.2D

## 8" SUBWOOFER DUAL 2 OHMS



# WE LIKE IT LOUD



**EXL-X8.2D 8" SUBWOOFER DUAL 2 OHMS**

### Data Sheet

#### Specifications:

Nominal Diameter .....	8 inch
Nominal Impedance .....	2+2 ohms
RMS Power Handling .....	600W
Maximum Power Handling.....	1200W
Sensitivity (1w/1m).....	89.11dB
Frequency Response .....	38-10KHz
Recommended Lo Pass Crossover.....	100Hz
Voice Coil Diameter.....	63.5 mm (2.5 inch)
Voice Coil Former Material .....	Black Aluminum
Winding Material .....	SV
Basket Material .....	Aluminum
Frame Material .....	Aluminum
Magnet Weight.....	Ferrite 130 OZ

#### Thiele & Small Parameters:

Equivalent Volume	Vas .....	2.5L
Excursion	X-max.....	24 mm
Free Air Resonance	Fs.....	70Hz
Mechanical Factor	Qms .....	6.852
Electrical Factor	Qes .....	0.987
Total Factor	Qts.....	0.993
Cone Area	Sd .....	201.06 cm <sup>2</sup>
Mechanical Mass	Mms .....	163.24g
BI Factor	BI .....	21.4 N/A
Dc Resistance	Re .....	2.0+2.0 ohms
Inductance	Le.....	11.21mH
Mechanical Mass Without Air	Mmd .....	158.35g
Mechanical Compliance	Cms.....	0.025 mm/N

#### Measurements

Overall Diameter .....	218 mm (8.58 inch)
Front Mount Baffle Cutout .....	187 mm (7.36 inch)
Mounting Depth .....	140 mm (5.51 inch)
Overall Depth.....	168 mm (6.61 inch)