



EXL-X6.4D

6.5" SUBWOOFER

LARGE FOAM EDGE AND PAPER
WITH GLASS FIBER CONE

90 OZ HIGH STRENGTH

DOUBLE FERRITE MAGNET

RED COLOR ALUMINUM BASKET

2.0" BLACK ALUMINUM 4 LAYER VOICE COIL

FREQUENCY RESPONSE 40 - 820Hz

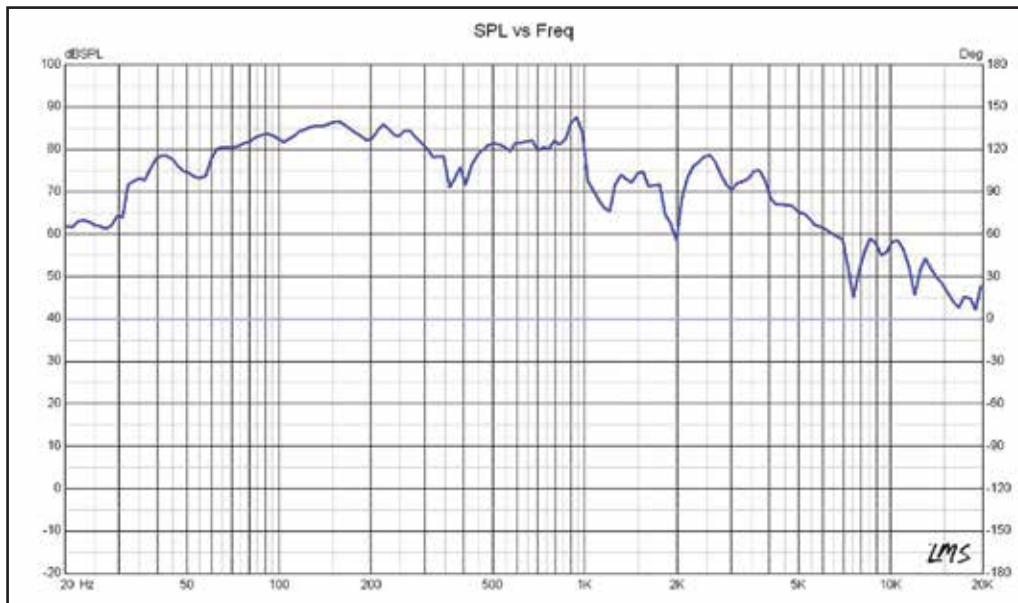
2 LAYER CONEX SPIDER

400 WATTS RMS POWER

800 WATTS MAX POWER

IMPEDANCE 4+4 OHMS

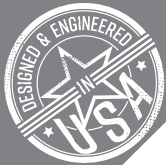
SENSITIVITY 89.8 dB



EXL-X6.4D

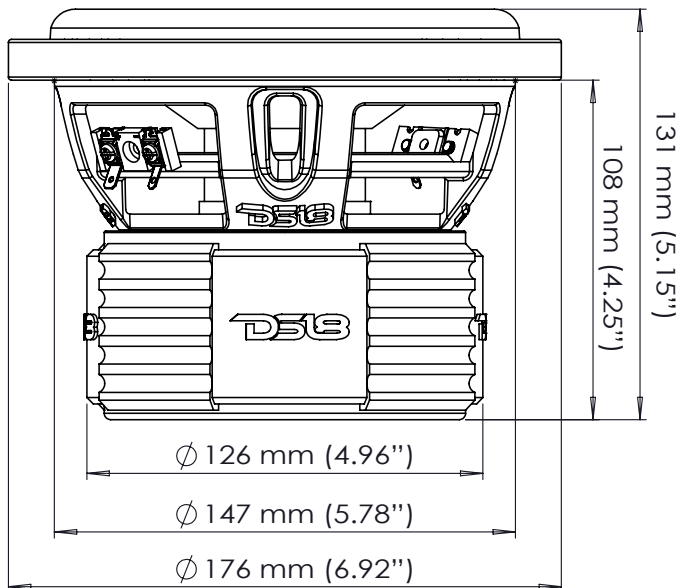
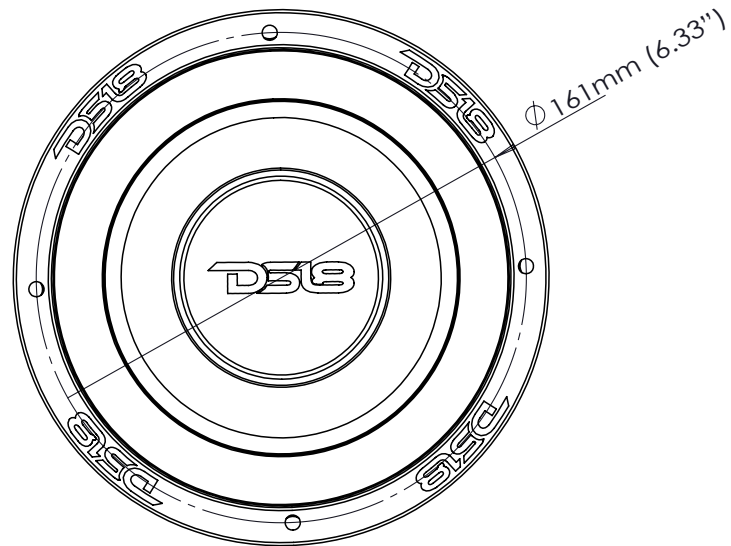
6.5" SUBWOOFER DUAL 4 OHMS

OWNER'S MANUAL



EXL-X6.4D

6.5" SUBWOOFER DUAL 4 OHMS



WE LIKE IT LOUD



Data Sheet

| | |
|-------------------------------|------------------|
| Nominal Diameter | 6.5 inch |
| Nominal Impedance | 4+4 ohms |
| RMS Power Handling | 400W |
| Maximum Power Handling | 800W |
| Sensitivity (1w/1m) | 89.8 dB |
| Frequency Response | 40Hz-820Hz |
| Recommended Lo Pass Crossover | 90Hz |
| Voice Coil Diameter | 50.8 mm (2 inch) |
| Voice Coil Former Material | Black Aluminum |
| Winding Material | SV |
| Basket Material | Aluminum |
| Frame Material | Aluminum |
| Magnet Weight | Ferrite 90 OZ |

Thiele & Small Parameters:

| | | |
|-----------------------------|-------|------------------------|
| Equivalent Volume | Vas | 2L |
| Excursion | X-max | 20 mm |
| Free Air Resonance | Fs | 76Hz |
| Mechanical Factor | Qms | 6.416 |
| Electrical Factor | Qes | 0.965 |
| Total Factor | Qts | 0.725 |
| Cone Area | Sd | 132.73 cm ² |
| Mechanical Mass | Mms | 72.256g |
| BI Factor | BI | 16.165 N/A |
| Dc Resistance | Re | 3.2+3.2 ohms |
| Inductance | Le | 10.52 mH |
| Mechanical Mass Without Air | Mmd | 72.82g |
| Mechanical Compliance | Cms | 0.038 mm/N |

Measurements

| | |
|---------------------------|--------------------|
| Overall Diameter | 176 mm (6.92 inch) |
| Front Mount Baffle Cutout | 147 mm (5.78 inch) |
| Mounting Depth | 108 mm (4.25 inch) |
| Overall Depth | 131 mm (5.15 inch) |

EXL-X6.4D 6.5" SUBWOOFER DUAL 4 OHMS