

The DS18 logo is rendered in a bold, stylized, metallic font with a 3D effect. The letters 'D', 'S', and '1' are connected, and the '8' is also connected to the '1'. A registered trademark symbol (®) is located at the top right of the '8'.

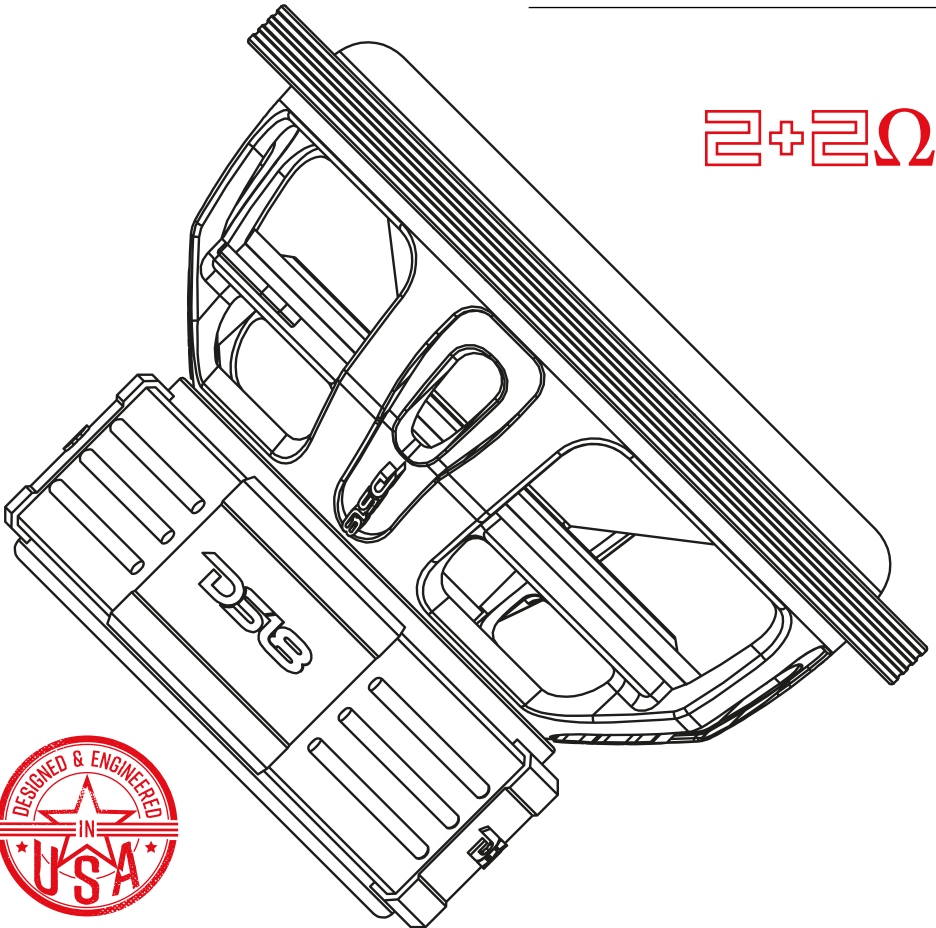
DS18®

OWNER'S MANUAL

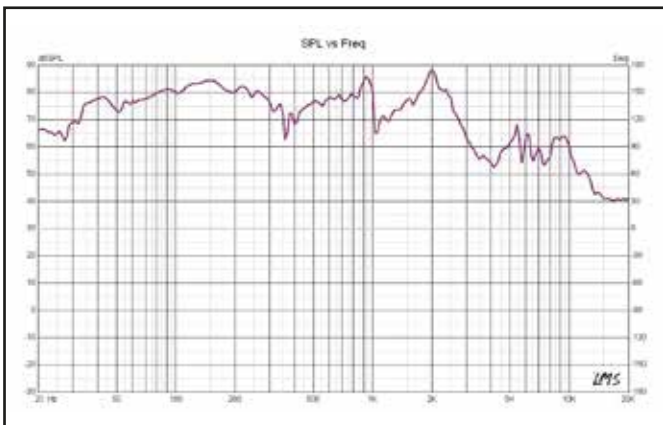
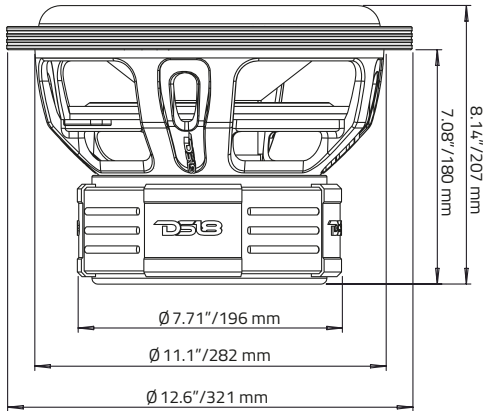
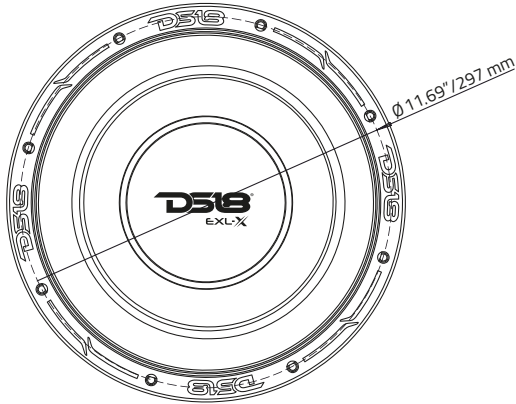
EXL-X12.2D

12" SUBWOOFER

2+2Ω



DS18®



EXL-X12.2D

SPECIFICATIONS / ESPECIFICACIONES:

Nominal Diameter	12" / 304.8 mm
Nominal Impedance.....	2+2 OHMS
RMS Power Handling.....	1250 Watts
MAX Power Handling.....	2500 Watts
Sensitivity (1w/1m).....	88 dB
Frequency Response	30Hz-1.7KHz
Recommended Lo Pass Crossover	100 Hz

MOTOR :

Voice Coil Diameter.....	2.57" / 65.2 mm
Voice Coil Former Material	Black Aluminum
Winding Material.....	SV
Cone Material.....	Non Pressed Paper + Glass Fiber
Dust Cap Material.....	PPI
Surround Material.....	Foam
Basket Material	Aluminum
Basket Color	Glossy Red
Magnet Material.....	Ferrite
Magnet Weight.....	2 x 105 Oz
Displacement Volume	3L / 0.105 ft3

THIELE & SMALL PARAMETERS

Equivalent Volume	Vas	9.31L / 0.328 ft3
Excursion (one way).....	Xmax	30 mm
Free Air Resonance	Fs	50 Hz
Mechanical Factor	Qms	2.901
Electrical Factor.....	Qes	0.448
Total Factor	Qts.....	0.388



THIELE & SMALL PARAMETERS

Moving Mass	Mms	376.997 g
Compliance	Cms	0.027mm/N
Bl Factor.....	Bl	16.69
Voice Coil Inductance.....	Le.....	0.561mH
Diaphragm Area.....	Sd	490.87cm ²
DC Resistance	Re	2+2 ohm
Efficiency Bandwidth Product.....	EBP.....	111.6

RECOMMENDED ENCLOSURES

Sealed Internal Volume	Not Recommended	
Ported Internal Volume	36L / 1.27ft ³	
Port Size *Square (WxHxLong).....	1.89"x12.28"x13.8"	
Port Tuning Frequency.....	Fb..... 50 Hz	
Ported Box Output Response.....	F3	42 Hz

MEASUREMENT:

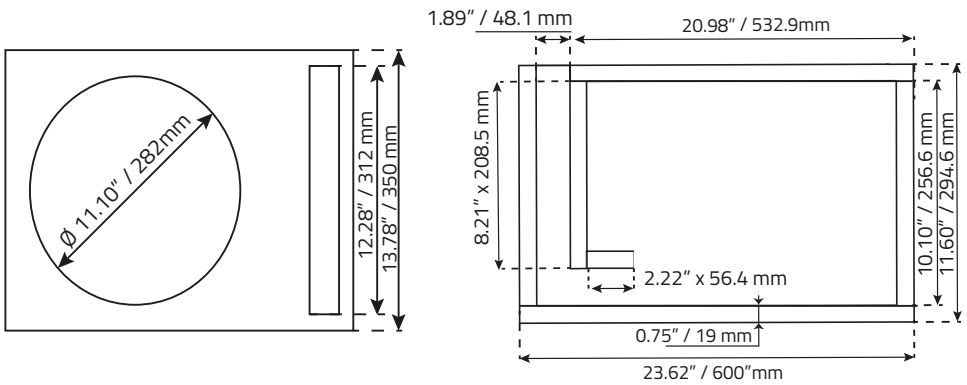
Overall Diameter	12.6" / 321 mm
Overall Depth	8.14" / 207 mm
Front Mount Baffle Cutout	11.1" / 282 mm
Mounting Depth	7" / 180 mm
Motor Diameter	7.72" / 196 mm

WE LIKE IT LOUD

IT IS NOT RECOMMENDED TO USE SEALED BOX

RECOMMENDED BOX DIMENSION

SINGLE SUBWOOFER PORTED BOX



PARAMETERS:

Box External Dimensions
(WxHxD): 23.62" x 13.78 x 11.60" /
600 mm x 350 mm x 294.6 mm

Material Thickness: 0.75" / 19mm

Net Internal Volume: 1.27 ft³ / 36 L

Tuning Frequency: 50 Hz

Port Area: 23.25" / 150 CM²

Port Intel: 1.89" x 12.28" / 48.1 x 312 mm

Port Length: 13.82" / 351 mm

WOOD CUTS:

Top - Bottom: 23.62" x 11.60" /
600 x 294.6 mm

Front: 20.98" x 12.28" / 532.9 x 312 mm

Rear: 23.62" x 12.28" / 600 x 312 mm

Left: 10.10" x 12.28" / 256.6 x 312 mm

Right: 10.85" x 12.28" / 275.6 x 312 mm

Port: 8.21" x 12.28" / 208.5 x 312 mm

Port: 2.22" x 12.28" / 56.4 x 312 mm

QTY

2

1

1

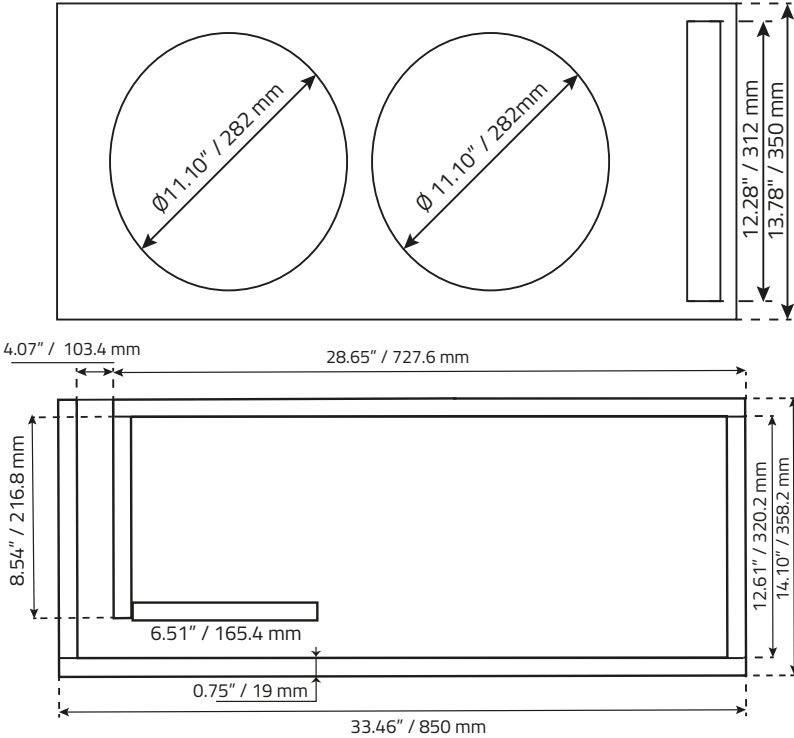
1

1

1

1

DOUBLE SUBWOOFER PORTED BOX



PARAMETERS:

Box External Dimensions

(WxHxD): $33.46'' \times 13.78'' \times 14.10'' / 850\text{ mm} \times 350\text{ mm} \times 358.2$

Material Thickness: $0.75'' / 19\text{ mm}$

Net Internal Volume: $2\text{ ft}^3 / 56.6\text{ L}$

Tuning Frequency: 48 Hz

Port Area: $50\text{ inch}^2 / 322.6\text{ CM}^2$

Port Intel: $4.07'' \times 12.28'' / 103.4 \times 312\text{ mm}$

Port Length: $20.61'' / 523.6\text{ mm}$

WOOD CUTS / CORTES DE LA MADERA:

Top - Bottom: $33.46'' \times 14.10'' / 850 \times 358.2\text{ mm}$

Front: $28.65'' \times 12.28'' / 727.6 \times 312\text{ mm}$

Rear: $33.46'' \times 12.28'' / 850 \times 312\text{ mm}$

Left: $12.61'' \times 12.28'' / 320.2 \times 312\text{ mm}$

Right: $13.35'' \times 12.28'' / 339.2 \times 312\text{ mm}$

Port: $8.54'' \times 12.28'' / 216.8 \times 312\text{ mm}$

Port: $6.51'' \times 12.28'' / 165.4 \times 312\text{ mm}$

QTY

2

1

1

1

1

1

1

Learn more about car audio and electronics we have.