

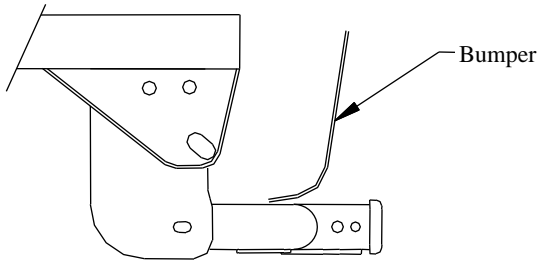
# Installation Instructions

## Toyota Tundra

Part Numbers:

**75527 44568**

**87434 78222**



### Hitch Shown In Proper Position

**Do Not Exceed Lower of Towing Vehicle  
Manufacturer's Rating or**

Hitch type	Max Gross Trailer WT (LB)	Max Tongue WT (LB)
Weight Distributing	<b>8000 (3632 Kg)</b>	<b>800 (363 Kg)</b>
Weight Carrying Ball Mount	<b>6000 (2724 Kg)</b>	<b>600 (272 Kg)</b>

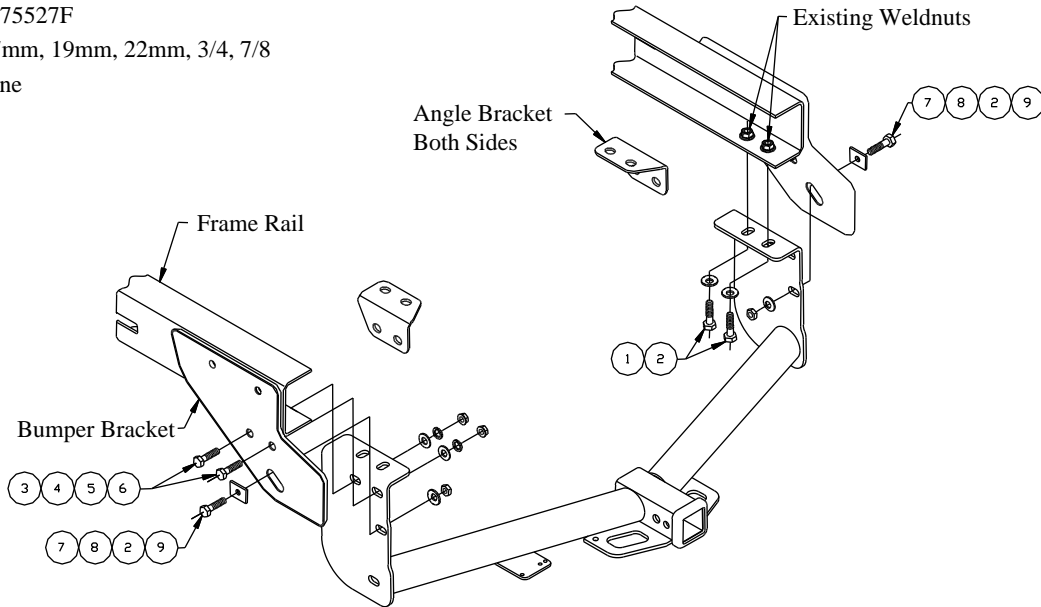
**Wiring Access Location: PU3**

### Equipment Required:

**Fastener Kit: 75527F**

**Wrenches: 17mm, 19mm, 22mm, 3/4, 7/8**

**Drill Bits: None**



### Fasteners Typical Both Sides

①	Qty. (4)	M12 X 1.25 CL9.8 X 40mm Hex Bolt	⑥	Qty. (4)	M14 Hex Nut
②	Qty. (6)	Conical Toothed Washer	⑦	Qty. (2)	1/2-13 X 1.75 Hex Bolt
③	Qty. (4)	M14 X 2.00 CL10.9 X 40mm	⑧	Qty. (2)	1/4 X 1.00 X 2.00 Block
④	Qty. (4)	5/8 Flat Washer	⑨	Qty. (2)	1/2 Hex Nut
⑤	Qty. (4)	5/8 Lock Washer			

1. Remove angle brackets from the inside surface between the frame rails and the bumper brackets.
2. Raise hitch into position and install M12 bolts and conical toothed washers into existing weldnuts.
3. Install M14 bolts through the vehicle bumper bracket, through the hitch and fasten with flat washer, lock washer, and hex nut.
4. Install 1/2-13 hex bolts and 1/4 block through the bumper bracket, through the hitch and fasten with conical toothed washers and hex nuts.
5. Tighten all fasteners to the required torque specifications.

Tighten all 1/2-13 GR5 fasteners with torque wrench to 75 Lb.-Ft. (102 N\*M)

Tighten all M12 X 1.25 CL9.8 fasteners with torque wrench to 105 Lb.-Ft. (142 N\*M)

Tighten all M14 X 2.00 CL10.9 fasteners with torque wrench to 115 Lb.-Ft. (156 N\*M)

Note: check hitch frequently, making sure all fasteners and ball are properly tightened. If hitch is removed, plug all holes in trunk pan or other body panels to prevent entry of water and exhaust fumes. A hitch or ball which has been damaged should be removed and replaced. Observe safety precautions when working beneath a vehicle and wear eye protection. Do not cut access or attachment holes with a torch.