



Installation Instructions

PART NUMBERS: 75992, 87682, 44764

⚠ WARNING

To prevent **SERIOUS INJURY, DEATH or PROPERTY DAMAGE:**

- **ALWAYS read, understand and follow warnings and instructions for your hitch BEFORE installation. Keep for future reference.**
- **DO NOT cut, weld or modify this receiver.**
- **CHECK all fasteners are tight and your hitch is securely mounted to your vehicle periodically.**
- **ALWAYS read, understand and follow all warnings and instructions for your vehicle and for other accessories you will use with your hitch BEFORE use.**
- **LOAD the trailer heavier in front.**
- **DO NOT exceed lower of towing vehicle manufacturer’s rating or:**

Hitch Type	Max Gross Trailer Weight	Max Tongue Weight
Weight Carrying	4000 lb. (1816 kg)	400 lb. (182 kg)
Weight Distributing	4000 lb. (1816 kg)	400 lb. (182 kg)

- **ALWAYS wear your seatbelt.**
- **SLOW DOWN when towing, NEVER exceed any posted speed limit.**
- **If EXCESS SWAY occurs, take your foot off the gas pedal and hold the steering wheel as steady as possible. DO NOT apply your brakes and DO NOT speed up.**

LIMITED LIFETIME WARRANTY

1. **Limited Lifetime Warranty (“Warranty”).** Cequent Performance Products, Inc. (“We”, “Us” or “Our”) warrants to the original consumer purchaser only (“You” or “Your”) that the product will be free from material defects in both material and workmanship, ordinary wear and tear excepted. The Warranty is valid only if (a) the products are returned to Us for inspection and testing; (b) Our inspection discloses to Our satisfaction that any alleged nonconformance are material and have not been caused by misuse, neglect, wear and tear, improper installation, unsuitable storage, improper repair, alteration, or accident; and (c) the products were installed, maintained and used in accordance with Our instructions. **THE WARRANTY IS MADE IN LIEU OF ALL OTHER WARRANTIES, EXPRESS OR IMPLIED (OTHER THAN THE WARRANTY OF TITLE AS PROVIDED BY THE UNIFORM COMMERCIAL CODE IN EFFECT IN MICHIGAN), INCLUDING WITHOUT LIMITATION, ANY WARRANTIES OF MERCHANTABILITY OR FITNESS FOR A PARTICULAR PURPOSE, SAID WARRANTIES BEING EXPRESSLY DISCLAIMED.**
2. **Obligations of Purchaser.** To make a Warranty claim, contact Us at our principal address of 47912 Halyard Drive, Suite 100, Plymouth, MI 48170, 1-800-632-3290, identify the product by model number, and follow the claim instructions that will be provided. Any returned product that is replaced by Us becomes our property. You may be responsible for return shipping costs. Please retain your purchase receipt to verify date of purchase and that You are the original consumer purchaser. The product and the purchase receipt must be provided to Us in order to process Your Warranty claim.
3. **Exclusive Remedy.** Product replacement is Your sole and exclusive remedy under this Warranty. We shall not be liable for service or labor charges incurred in removing or replacing a product. **IN NO EVENT WILL WE BE RESPONSIBLE FOR ANY INDIRECT, SPECIAL, CONSEQUENTIAL OR PUNITIVE DAMAGES.**
4. **Assumption of Risk.** You acknowledge and agree that any use of the product for any purpose other than the specified use(s) stated in the product instructions is at Your own risk.
5. **Governing Law.** This Warranty gives You specific legal rights, and You also may have other rights which vary from state to state. This Warranty is governed by the laws of the State of Michigan, without regard to rules pertaining to conflicts of law. The state courts located in Oakland County, Michigan shall have exclusive jurisdiction for any disputes relating to this Warranty.



Installation Instructions

PART NUMBERS: 75992, 87682, 44764

Applications:

Years	Make	Models
2007-2014	Ford (exclude sport model)	Edge
2007-2015	Lincoln	MKX

*Visit our website for the most up to date information regarding application years and trim levels.

Installation Time: **55 min**

The time listed above is the average time for professional installers. If you do not feel comfortable performing this installation on your own or are in need of assistance, please contact a professional installer.



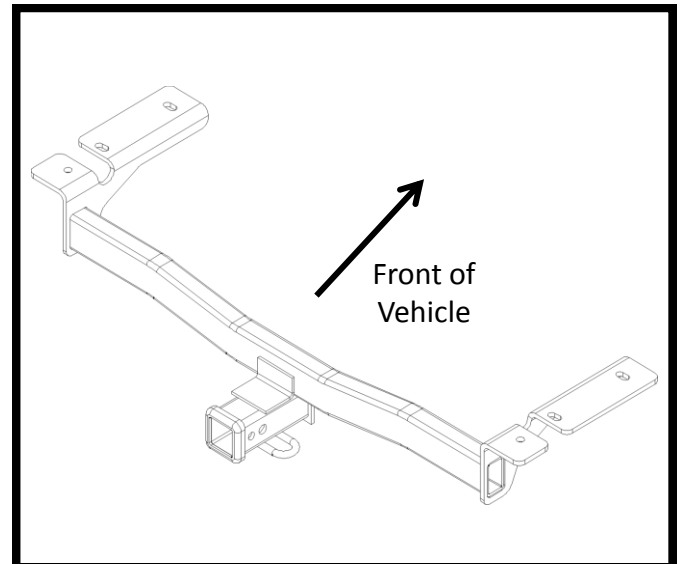
Representative Vehicle Photo

Equipment Required:

Safety Glasses	Ratchet	8 mm 3 / 4 "	Torque Wrench	Tin Snips
Drill	Drill Bit 17/32"	Flat Head Screw Driver		

DO NOT EXCEED LOWER OF TOWING VEHICLE MANUFACTURER'S RATING OR:

Hitch Type	Max Gross Trailer Weight	Max Tongue Weight
Weight Carrying	4000 lb. (1816 kg)	400 lb. (182 kg)
Weight Distributing	4000 lb. (1816 kg)	400 lb. (182 kg)



Hitch Illustration

Always wear SAFETY GLASSES when installing hitch

Installation Instructions

PART NUMBERS: 75992, 87682, 44764

Fastener Kit: 75992F






①	Qty. (6)	Carriage bolt ½-13 x 1.50 GR5	
②	Qty. (6)	Spacer .250 x 1 x3	
③	Qty. (6)	Conical washer ½"	
④	Qty. (6)	Hex Nut ½ -13 GR2	
⑤	Qty. (6)	Pull wire ½-13	



Figure 2

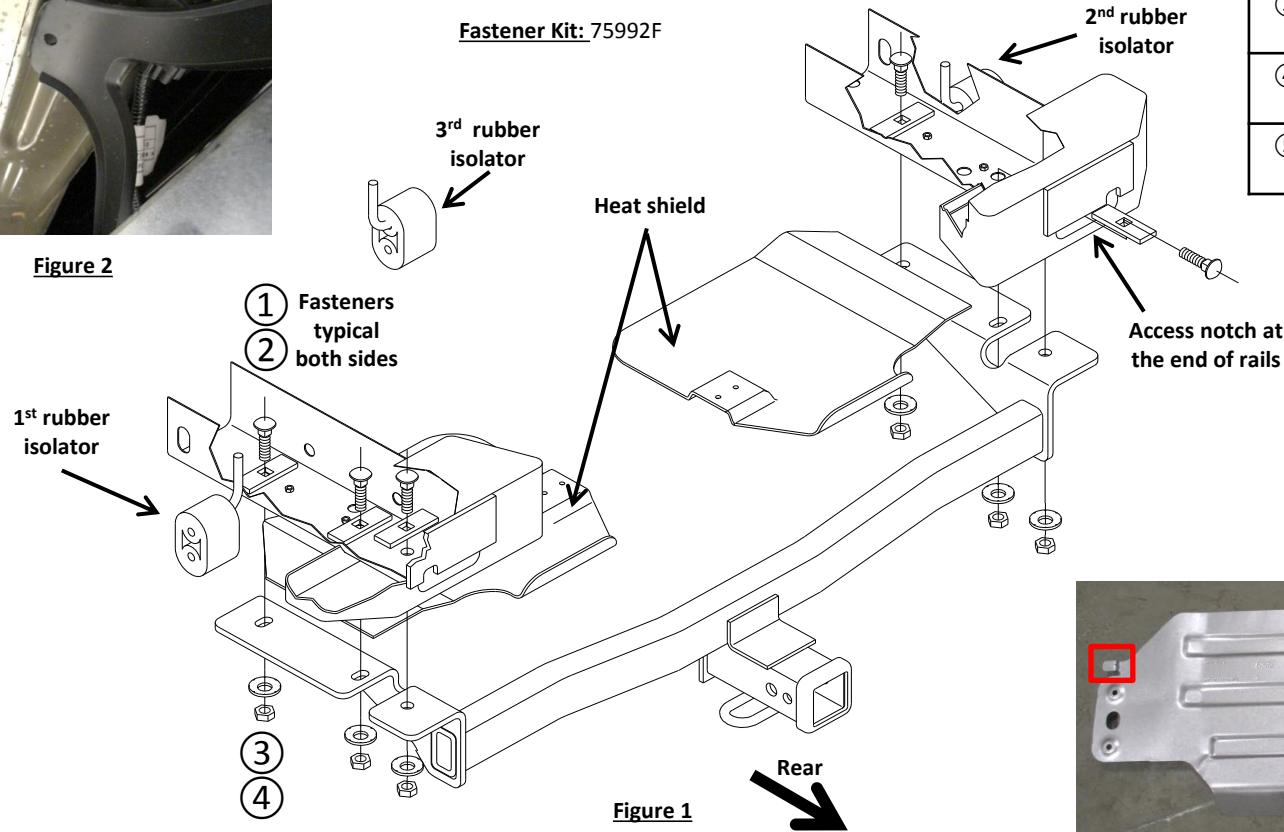
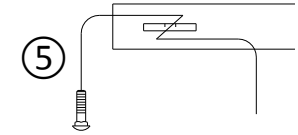


Figure 1



⑤

Kink Pull wire to keep spacer independent of bolt

Figure 4

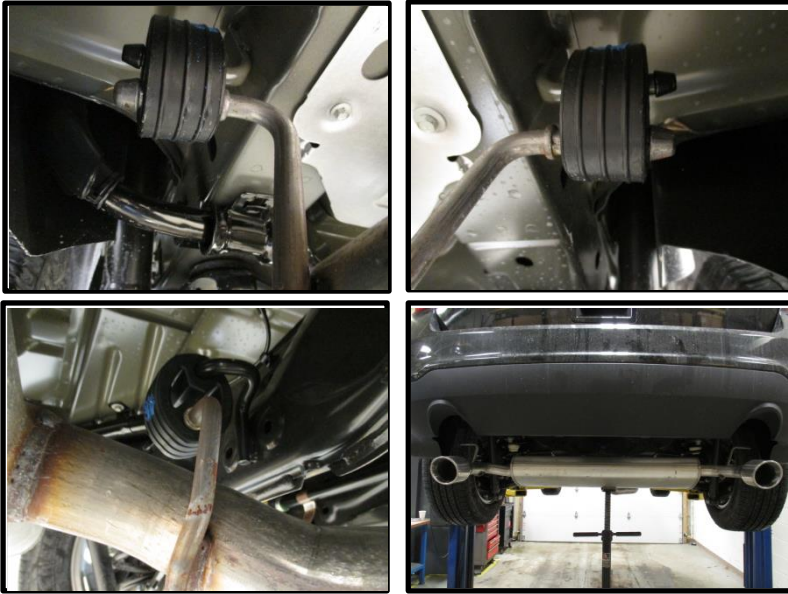
Figure 3



- Lower exhaust by removing (3) rubber isolators as shown in Figure 1. Use exhaust support stand to prevent damaging muffler.
- Remove (1) screw at the fascia center support and carefully push it toward impact bar as shown in Figure 2. Return (1) screw to owner.
- Remove heat shield on both sides. Remove (3) screws, (1) plastic plug on both sides, and (1) plastic clip attaching wiring harness only on driver side.
- Trim the tab off heat shield on both sides, as shown in Figure 3. Reinstall the heat shields without (2) screws which attach to the frame rails on each side. Return (4) screws to owner.
- There is a wide notch on the outside end of both rails which allows pull wire (6) to enter. Use the kink wire method in Figure 4 to feed carriage bolt (1) and spacer (2) through notch on bottom of frame rails.
- Raise hitch into position over the exhaust and sandwich the heat shield between hitch and frame rail. Remove pull wires and loosely install conical washer (3) and hex nut (5) to the hitch.
- Tighten all ½-13 GR5 fasteners with torque wrench to 75 Lb.-Ft. (102 N*M)**
▲ Proper torque is needed to keep the hitch secure to the vehicle when towing.
- Using the rearmost hole on each side of hitch bracket as a template, drill 17/32" holes through the frame rail. Repeat step 5 to feed the fasteners and secure the hitch with conical washer (3) and hex nut (5).
- Tighten all ½-13 GR5 fasteners with torque wrench to 75 Lb.-Ft. (102 N*M)**
▲ Proper torque is needed to keep the hitch secure to the vehicle when towing.
- Raise the exhaust back into position.

Note: check hitch frequently, making sure all fasteners and ball are properly tightened. If hitch is removed, plug all holes in trunk pan or other body panels to prevent entry of water and exhaust fumes. A hitch or ball which has been damaged should be removed and replaced. Observe safety precautions when working beneath a vehicle and wear eye protection. Do not cut access or attachment holes with a torch.

1. Lower exhaust by removing (3) rubber isolators as shown in Figure 1. Use exhaust support stand to prevent damaging muffler.



2. Remove (1) screw at the fascia center support and carefully push it toward impact bar as shown in Figure 2. Return (1) screw to owner.



3. Remove heat shield on both sides. Remove (3) screws, (1) plastic plug on both sides, and (1) plastic clip attaching wiring harness only on driver side.



4. Trim the tab off heat shield on both sides, as shown in Figure 3. Reinstall the heat shields without (2) screws which attach to the frame rails on each side. Return (4) screws to owner



5. There is a wide notch on the outside end of both rails which allows pull wire ⑥ to enter. Use the kink wire method in Figure 4 to feed carriage bolt ① and spacer ② through notch on bottom of frame rails.



6. Raise hitch into position over the exhaust and sandwich the heat shield between hitch and frame rail. Remove pull wires and loosely install conical washer ③ and hex nut ⑤ to the hitch.

7. **Tighten all 1/2-13 GR5 fasteners with torque wrench to 75 Lb.-Ft. (102 N*M)**

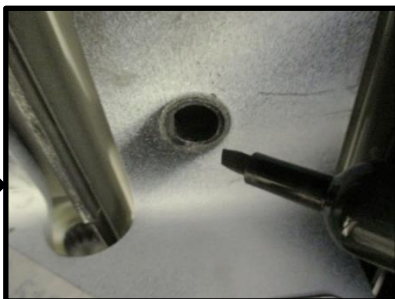
⚠ Proper torque is needed to keep the hitch secure to the vehicle when towing.



8. Using the rearmost hole on each side of hitch bracket as a template, drill 17/32" holes through the frame rail. Repeat step 5 to feed the fasteners and secure the hitch with conical washer ③ and hex nut ⑤.

9. **Tighten all 1/2-13 GR5 fasteners with torque wrench to 75 Lb.-Ft. (102 N*M)**

⚠ Proper torque is needed to keep the hitch secure to the vehicle when towing.



10. Raise the exhaust back into position.

