



Installation Instructions

PART NUMBERS: 75956, 87680, 44762

! WARNING

To prevent **SERIOUS, DEATH** or **PROPERTY DAMAGE**:

- **ALWAYS** read, understand and follow warnings and instructions for your hitch **BEFORE** installation. Keep for future reference.
- **DO NOT** cut, weld or modify this receiver.
- **CHECK** all fasteners are tight and your hitch is securely mounted to your vehicle periodically.
- **ALWAYS** read, understand and follow all warnings and instructions for your vehicle and for other accessories you will use with your hitch **BEFORE** use.
- **LOAD** the trailer heavier in front.
- **DO NOT** exceed lower of towing vehicle manufacturer's rating or:

Hitch Type	Max Gross Trailer Weight	Max Tongue Weight
Weight Carrying	3500 lb. (1589 kg)	350 lb. (159 kg)
Weight Distributing	4000 lb. (1816 kg)	400 lb. (182 kg)

- **ALWAYS** wear your seatbelt.
- **SLOW DOWN** when towing, **NEVER** exceed any posted speed limit.
- If **EXCESS SWAY** occurs, take your foot off the gas pedal and hold the steering wheel as steady as possible. **DO NOT** apply your brakes and **DO NOT** speed up.

LIMITED LIFETIME WARRANTY

1. **Limited Lifetime Warranty ("Warranty").** Cequent Performance Products, Inc. ("We", "Us" or "Our") warrants to the original consumer purchaser only ("You" or "Your") that the product will be free from material defects in both material and workmanship, ordinary wear and tear excepted. The Warranty is valid only if (a) the products are returned to Us for inspection and testing; (b) Our inspection discloses to Our satisfaction that any alleged nonconformance are material and have not been caused by misuse, neglect, wear and tear, improper installation, unsuitable storage, improper repair, alteration, or accident; and (c) the products were installed, maintained and used in accordance with Our instructions. **THE WARRANTY IS MADE IN LIEU OF ALL OTHER WARRANTIES, EXPRESS OR IMPLIED (OTHER THAN THE WARRANTY OF TITLE AS PROVIDED BY THE UNIFORM COMMERCIAL CODE IN EFFECT IN MICHIGAN), INCLUDING WITHOUT LIMITATION, ANY WARRANTIES OF MERCHANTABILITY OR FITNESS FOR A PARTICULAR PURPOSE, SAID WARRANTIES BEING EXPRESSLY DISCLAIMED.**
2. **Obligations of Purchaser.** To make a Warranty claim, contact Us at our principal address of 47912 Halyard Drive, Suite 100, Plymouth, MI 48170, 1-800-632-3290, identify the product by model number, and follow the claim instructions that will be provided. Any returned product that is replaced by Us becomes our property. You may be responsible for return shipping costs. Please retain your purchase receipt to verify date of purchase and that You are the original consumer purchaser. The product and the purchase receipt must be provided to Us in order to process Your Warranty claim.
3. **Exclusive Remedy.** Product replacement is Your sole and exclusive remedy under this Warranty. We shall not be liable for service or labor charges incurred in removing or replacing a product. **IN NO EVENT WILL WE BE RESPONSIBLE FOR ANY INDIRECT, SPECIAL, CONSEQUENTIAL OR PUNITIVE DAMAGES.**
4. **Assumption of Risk.** You acknowledge and agree that any use of the product for any purpose other than the specified use(s) stated in the product instructions is at Your own risk.
5. **Governing Law.** This Warranty gives You specific legal rights, and You also may have other rights which vary from state to state. This Warranty is governed by the laws of the State of Michigan, without regard to rules pertaining to conflicts of law. The state courts located in Oakland County, Michigan shall have exclusive jurisdiction for any disputes relating to this Warranty.



Installation Instructions

PART NUMBERS: 75956, 87680, 44762

Applications:

Years	Make	Models
2015-Current*	Lexus	NX200t

*Visit our website for the most up to date information regarding application years and trim levels.

Installation Time: 35 min

The time listed above is the average time for professional installers. If you do not feel comfortable performing this installation on your own or are in need of assistance, please contact a professional installer.



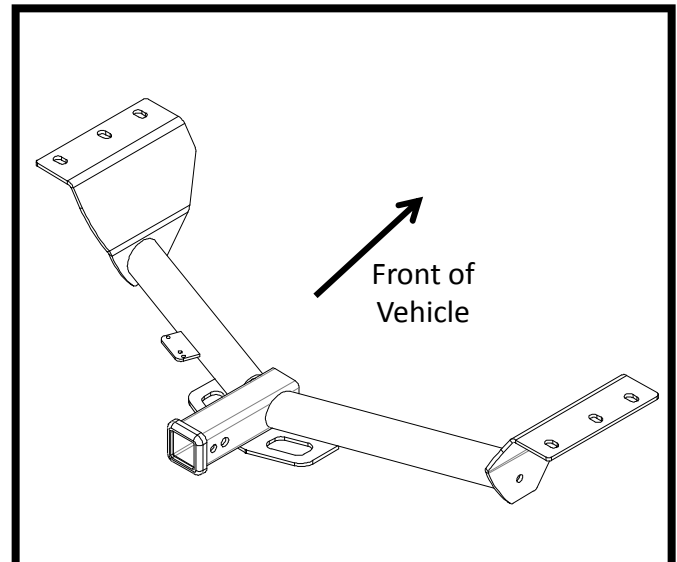
Representative Vehicle Photo

Equipment Required:

Safety Glasses	Ratchet	17 mm 18 mm Sockets	Torque Wrench	3" Socket Extension
Philips Screwdriver				

DO NOT EXCEED LOWER OF TOWING VEHICLE MANUFACTURER'S RATING OR:

Hitch Type	Max Gross Trailer Weight	Max Tongue Weight
Weight Carrying	3500 lb. (1589 kg)	350 lb. (159 kg)
Weight Distributing	4000 lb. (1816 kg)	400 lb. (182 kg)



Hitch Illustration

Always wear SAFETY GLASSES when installing hitch

Installation Instructions

PART NUMBERS: 75956, 87680, 44762



①	Qty. (5)	Bolt M12 1.25x40, CL10.9	
②	Qty. (5)	Conical washer ½"	



Figure 2

Driver side
exhaust hanger
bracket

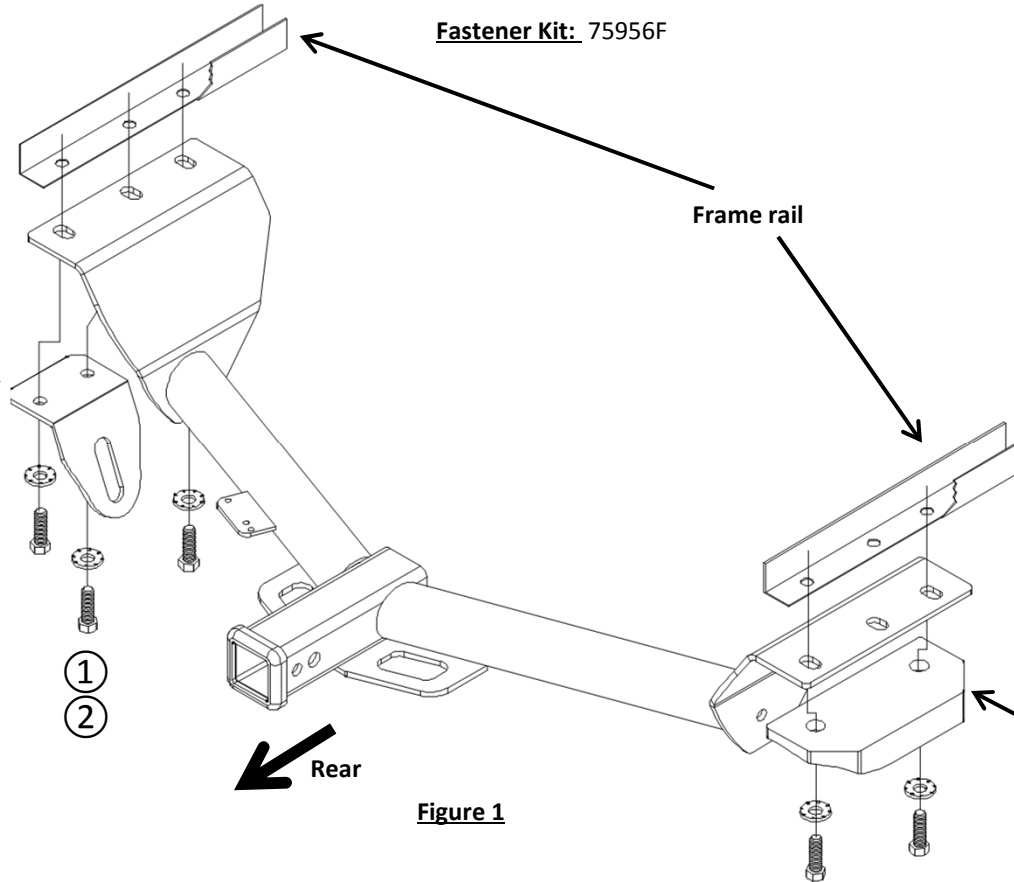


Figure 1

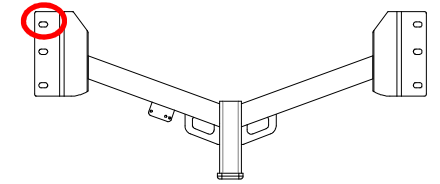
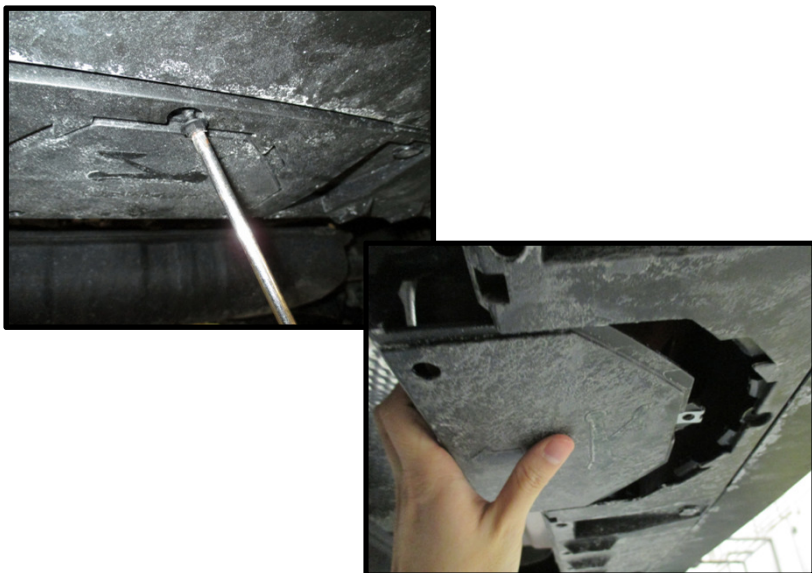


Figure 3

1. Remove (1) screw at the bottom fascia center and the appearance panel door as shown in Figure 2. Return (1) screw and appearance panel door to owner.
2. Lower exhaust by removing (2) M12 bolts from exhaust hanger bracket on each side. Use exhaust support stand to prevent damaging muffler. Return (4) screws to owner.
3. Raise and slide the hitch into position, starting from driver side. Loosely install (1) M12 bolt ① and (1) conical washer ② at the foremost slot on driver side, see Figure 3. Sandwich the hitch bracket between exhaust hanger bracket and frame rail on both sides. Loosely install the rest of fasteners to the exhaust hanger bracket on both sides.
4. **Tighten all M12-1.25 CL 10.9 fasteners with torque wrench to 92 Lb.-Ft. (125 N*M)**
▲ Proper torque is needed to keep the hitch secure to the vehicle when towing.

Note: check hitch frequently, making sure all fasteners and ball are properly tightened. If hitch is removed, plug all holes in trunk pan or other body panels to prevent entry of water and exhaust fumes. A hitch or ball which has been damaged should be removed and replaced. Observe safety precautions when working beneath a vehicle and wear eye protection. Do not cut access or attachment holes with a torch.

1. Remove (1) screw at the bottom fascia center and the appearance panel door as shown in Figure 2. Return (1) screw and appearance panel door to owner.



2. Lower exhaust by removing (2) M12 bolts from exhaust hanger bracket on each side. Use exhaust support stand to prevent damaging muffler. Return (4) screws to owner.



3a. Raise and slide the hitch into position, starting from driver side. Loosely install (1) M12 bolt ① and (1) conical washer ② at the foremost slot on driver side, see Figure 3.



3b. Sandwich the hitch bracket between exhaust hanger bracket and frame rail on both sides. Loosely install the rest of fasteners to the exhaust hanger bracket on both sides.

4. **Tighten all M12-1.25 CL 10.9 fasteners with torque wrench to 92 Lb.-Ft. (125 N*M)**

⚠ Proper torque is needed to keep the hitch secure to the vehicle when towing.

