

# Installation Instructions

Part Numbers:

**75902**

**87663**

**44712**

**Nissan Rogue  
Nissan Rogue Select  
(Except Krōm)**

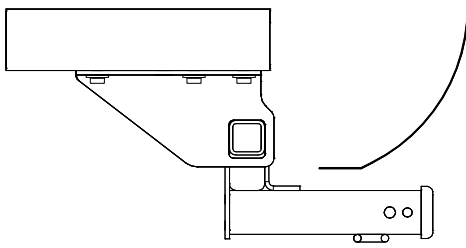
**Do Not Exceed Lower of Towing Vehicle  
Manufacturer's Rating or**

Hitch type	Max Gross Trailer WT (LB)	Max Tongue WT (LB)
Weight Distribution	<b>Not to be used with Spring bars</b>	
Weight Carrying Ball Mount	<b>3500 (1590 Kg)</b>	<b>350 (159 Kg)</b>

**Wiring Access Location: SUV3 & 4**

Accessory Rating

**C**



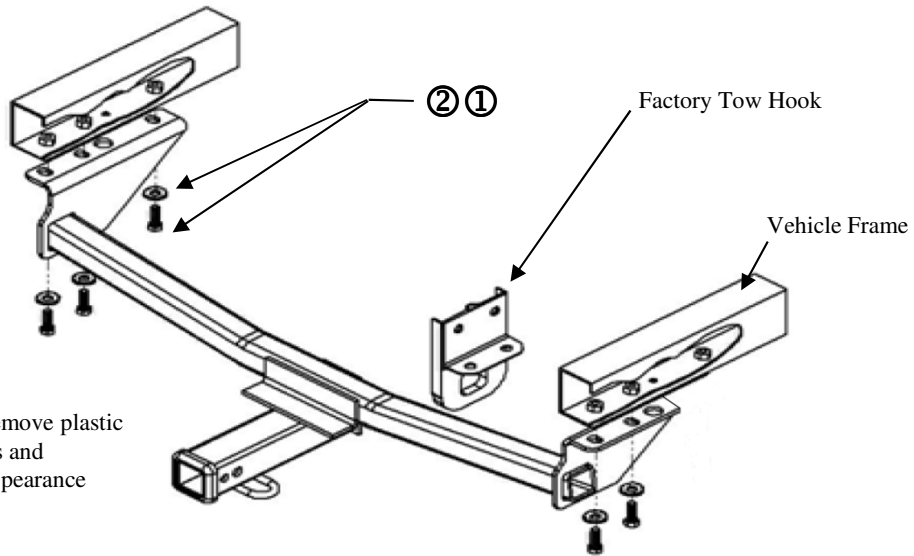
## Hitch Shown In Proper Position

### Equipment Required:

**Fastener Kit: 75902F**

**Wrenches: 18 & 19mm**

**Drill Bits: None**



For vehicles with appearance panel: Remove plastic appearance panels which cover driver's and passenger's side frame rails. Return appearance panels and fasteners to vehicle owner.

## Fasteners typical for all mounting locations

①	Qty. (5)	Hex Bolt M12 x 1.25 x 35mm CL8.8	②	Qty. (5)	Conical Washer 1/2"
---	----------	----------------------------------	---	----------	---------------------

1. Remove and return factory tow hook and fasteners to vehicle owner.
2. Raise hitch into position on driver's side and loosely install center fastener as shown, installing hex bolt and conical washer thru elongated hole in hitch into vehicle frame. Raise hitch into position on passenger side and loosely install center fastener as shown, installing hex bolt and conical washer thru elongated hole in hitch into vehicle frame. Center hitch on vehicle and install remaining hardware as shown.

Tighten all M12 x 1.25 CL8.8 fasteners with torque wrench to 75 Lb.-Ft. (102 N\*M)

**Cequent**

