

Installation Instructions

Part Numbers:

Hyundai Santa Fe

75684

Kia Sorento

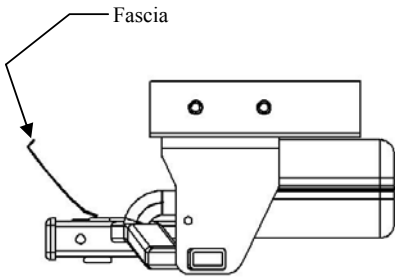
87574

44639

**Do Not Exceed Lower of Towing Vehicle
Manufacturer's Rating or**

Hitch type	Max Gross Trailer WT (LB)	Max Tongue WT (LB)
Weight Distributing	5000 (2270 Kg.)	500 (227 Kg.)
Weight Carrying Ball Mount	3500 (1589 Kg.)	350 (159 Kg.)

Wiring Access Location: Santa Fe: SUV3, SUV4
Sorento: SUV7



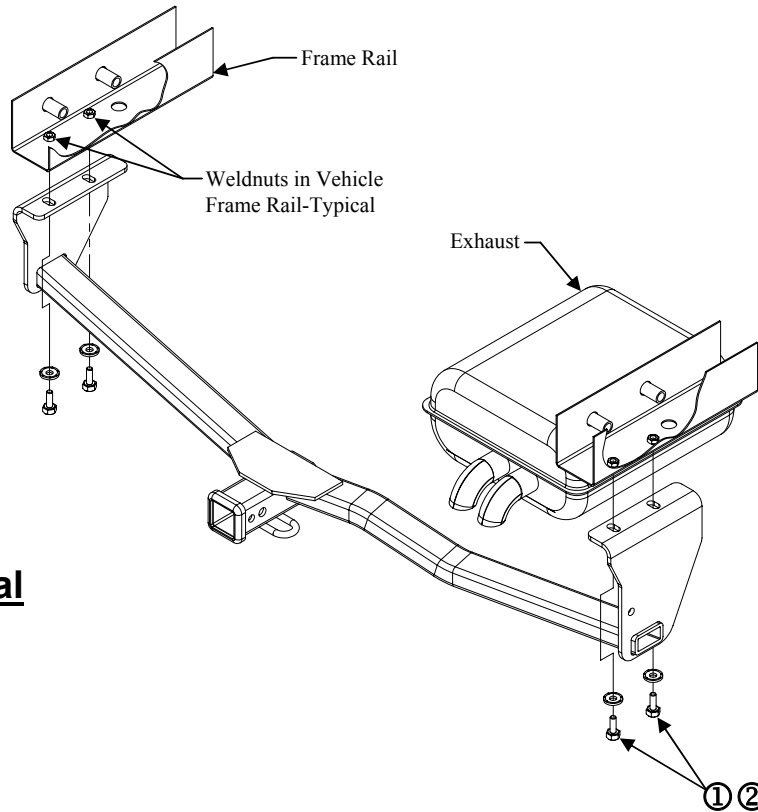
Hitch Shown In Proper Position

Equipment Required:

Fastener Kit: 75684F

Wrenches: 16mm

Drill Bits: None



Fasteners Typical Both Sides

① Qty. (4) Hex Bolt – M10 x 1.25 x 30mm

② Qty. (4) Conical Toothed Washer – 7/16"

1. Raise car on ramps, hoist, or jack stands.
2. Raise hitch into position, installing fasteners as shown into existing weldnuts in vehicle frame.

Cequent



Tighten all M10 x 1.25 CL10.9 fasteners with torque wrench to 59 Lb.-Ft. (80 N*M)