

# Installation Instructions

## ACURA MDX

Fits with mini spare tire stowed under vehicle.  
 Will not fit with full size spare.  
 Will not fit with Rear Sport Bumper Trim.

Part Numbers:

**75614**

**87474**

**44594**

**78217 U-Haul**

Do Not Exceed Lower of Towing Vehicle  
 Manufacturer's Rating or

Hitch type	Max Gross Trailer WT (LB)	Max Tongue WT (LB)
Weight Distributing	<b>5000 (2270 Kg)</b>	<b>500 (227 Kg)</b>
Weight Carrying Ball Mount	<b>4000 (1816 Kg)</b>	<b>400 (182 Kg)</b>

Wiring Access Location: SUV 1, SUV 2

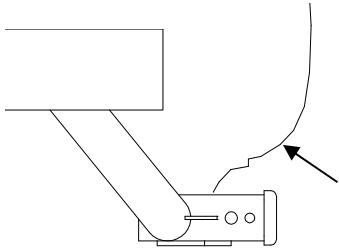
Accessory Rating	<b>C</b>
------------------	----------



View of one style of the optional Rear Sport Bumper Trim.



Typical center bumper cover



Fascia/Bumper

### Hitch Shown In Proper Position

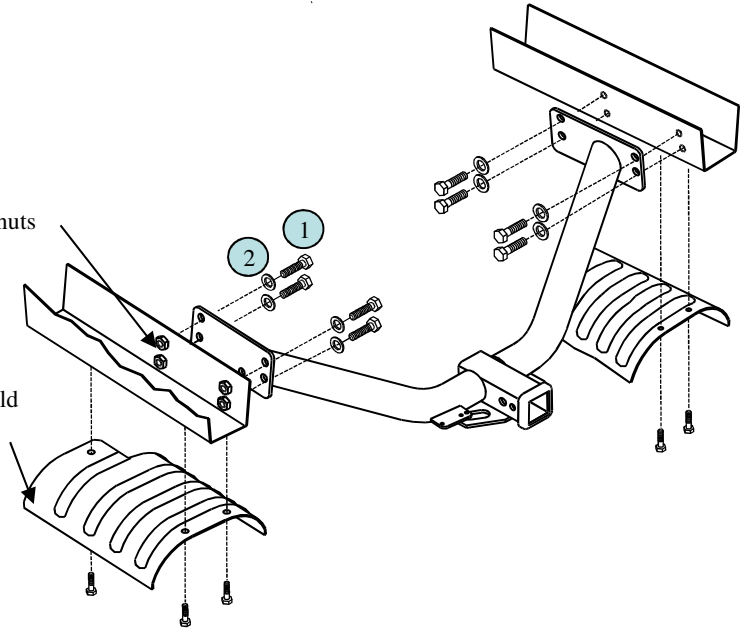
#### Equipment Required:

**Fastener Kit: 75614F**

**Wrenches: 19 mm, 21mm, 10mm**

Existing weldnuts  
Both sides

Heat Shield



**Fits with mini spare tire stowed under vehicle. Will not fit with full size spare.**

①	Qty. (8)	Hex Bolt, M14 – 1.50 x 45mm CL10.9	②	Qty. (8)	Flat Washer 9/16 (Hardened)
---	----------	------------------------------------	---	----------	-----------------------------

1. Remove spare tire.
2. Lower vehicle exhaust by removing the two rearmost rubber hangers – both sides.
3. Remove heat shields.
4. Raise hitch into position and install (8) M14 hex bolts and (8) flat washers into existing weldnuts as shown.
5. Tighten all M14 bolts to proper specification.
6. Re-install heat shields – tighten bolts. Re-install exhaust.
7. Re-install spare tire.

**Cequent**



Tighten all M14 CL10.9 fasteners with torque wrench to 90 Lb.-Ft. (122 N\*M)