



Installation Instructions

PART NUMBERS: 75214, 87684, 44766

! WARNING

To prevent **SERIOUS INJURY, DEATH or PROPERTY DAMAGE:**

- **ALWAYS** read, understand and follow warnings and instructions for your hitch **BEFORE** installation. Keep for future reference.
- **DO NOT** cut, weld or modify this receiver.
- **CHECK** all fasteners are tight and your hitch is securely mounted to your vehicle periodically.
- **ALWAYS** read, understand and follow all warnings and instructions for your vehicle and for other accessories you will use with your hitch **BEFORE** use.
- **LOAD** the trailer heavier in front.
- **DO NOT** exceed lower of towing vehicle manufacturer’s rating or:

Hitch Type	Max Gross Trailer Weight	Max Tongue Weight
Weight Carrying	3500 lb. (1589 kg)	525 lb. (239 kg)
Weight Distributing	4000 lb. (1816 kg)	525 lb. (239 kg)

- **ALWAYS** wear your seatbelt.
- **SLOW DOWN** when towing, **NEVER** exceed any posted speed limit.
- If **EXCESS SWAY** occurs, take your foot off the gas pedal and hold the steering wheel as steady as possible. **DO NOT** apply your brakes and **DO NOT** speed up.

LIMITED LIFETIME WARRANTY

1. **Limited Lifetime Warranty (“Warranty”).** Cequent Performance Products, Inc. (“We”, “Us” or “Our”) warrants to the original consumer purchaser only (“You” or “Your”) that the product will be free from material defects in both material and workmanship, ordinary wear and tear excepted. The Warranty is valid only if (a) the products are returned to Us for inspection and testing; (b) Our inspection discloses to Our satisfaction that any alleged nonconformance are material and have not been caused by misuse, neglect, wear and tear, improper installation, unsuitable storage, improper repair, alteration, or accident; and (c) the products were installed, maintained and used in accordance with Our instructions. **THE WARRANTY IS MADE IN LIEU OF ALL OTHER WARRANTIES, EXPRESS OR IMPLIED (OTHER THAN THE WARRANTY OF TITLE AS PROVIDED BY THE UNIFORM COMMERCIAL CODE IN EFFECT IN MICHIGAN), INCLUDING WITHOUT LIMITATION, ANY WARRANTIES OF MERCHANTABILITY OR FITNESS FOR A PARTICULAR PURPOSE, SAID WARRANTIES BEING EXPRESSLY DISCLAIMED.**
2. **Obligations of Purchaser.** To make a Warranty claim, contact Us at our principal address of 47912 Halyard Drive, Suite 100, Plymouth, MI 48170, 1-800-632-3290, identify the product by model number, and follow the claim instructions that will be provided. Any returned product that is replaced by Us becomes our property. You may be responsible for return shipping costs. Please retain your purchase receipt to verify date of purchase and that You are the original consumer purchaser. The product and the purchase receipt must be provided to Us in order to process Your Warranty claim.
3. **Exclusive Remedy.** Product replacement is Your sole and exclusive remedy under this Warranty. We shall not be liable for service or labor charges incurred in removing or replacing a product. **IN NO EVENT WILL WE BE RESPONSIBLE FOR ANY INDIRECT, SPECIAL, CONSEQUENTIAL OR PUNITIVE DAMAGES.**
4. **Assumption of Risk.** You acknowledge and agree that any use of the product for any purpose other than the specified use(s) stated in the product instructions is at Your own risk.
5. **Governing Law.** This Warranty gives You specific legal rights, and You also may have other rights which vary from state to state. This Warranty is governed by the laws of the State of Michigan, without regard to rules pertaining to conflicts of law. The state courts located in Oakland County, Michigan shall have exclusive jurisdiction for any disputes relating to this Warranty.



Installation Instructions

PART NUMBERS: 75214, 87684, 44766

Applications:

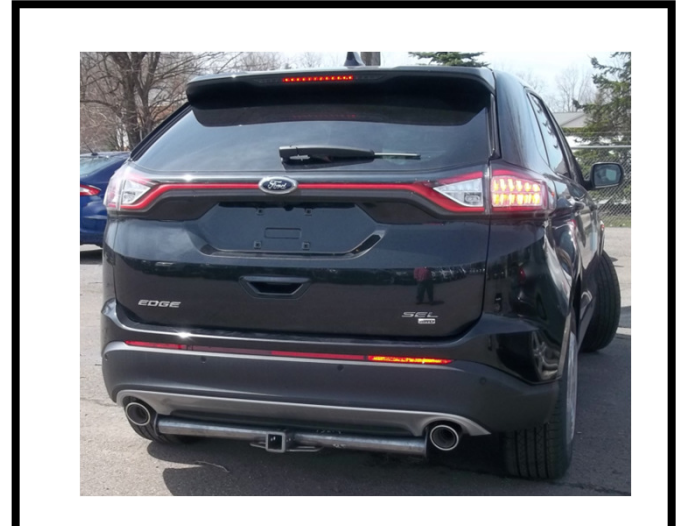
Years	Make	Models
-------	------	--------

2015-Current*	Ford	Edge
---------------	------	------

*Visit our website for the most up to date information regarding application years and trim levels.

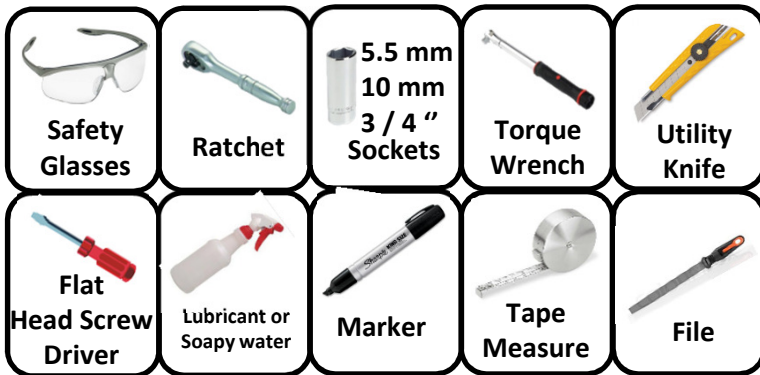
Installation Time: 40 min.

The time listed above is the average time for professional installers. If you do not feel comfortable performing this installation on your own or are in need of assistance, please contact a professional installer.



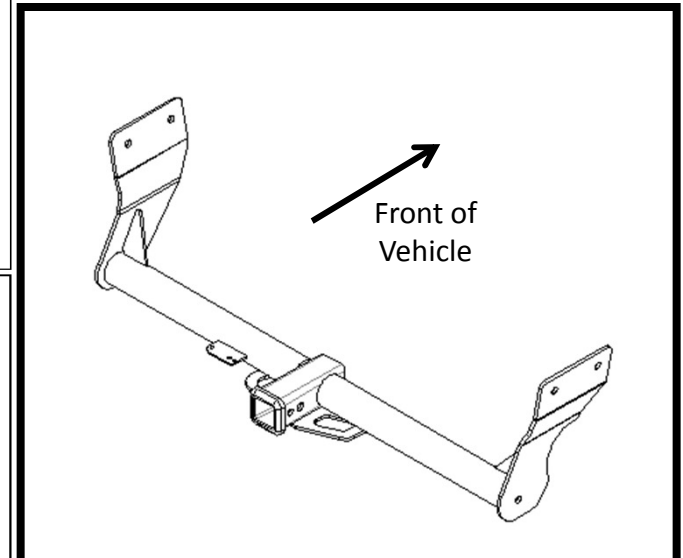
Representative Vehicle Photo

Equipment Required:



**DO NOT EXCEED LOWER OF TOWING VEHICLE
MANUFACTURER'S RATING OR:**

Hitch Type	Max Gross Trailer Weight	Max Tongue Weight
Weight Carrying	3500 lb. (1589 kg)	525 lb. (239 kg)
Weight Distributing	4000 lb. (1816 kg)	525 lb. (239 kg)








Hitch Illustration

Always wear SAFETY GLASSES when installing hitch

Installation Instructions

PART NUMBERS: 75214, 87684, 44766

①	Qty. (4)	Carriage bolt ½-13 x 1.75 GR5	
②	Qty. (4)	Spacer .250 x 1 x 3	
③	Qty. (4)	Conical washer ½"	
④	Qty. (4)	Hex Nut ½ -13 GR2	
⑤	Qty. (4)	Pull wire ½-13	

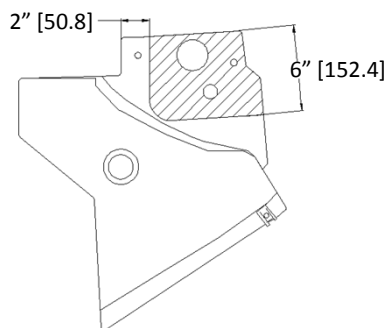


Figure 4
Panel trim

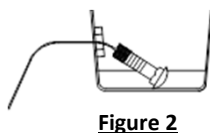


Figure 2

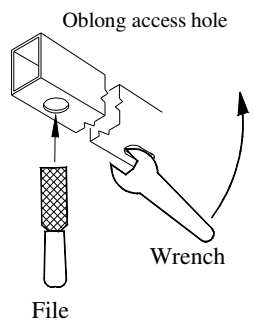
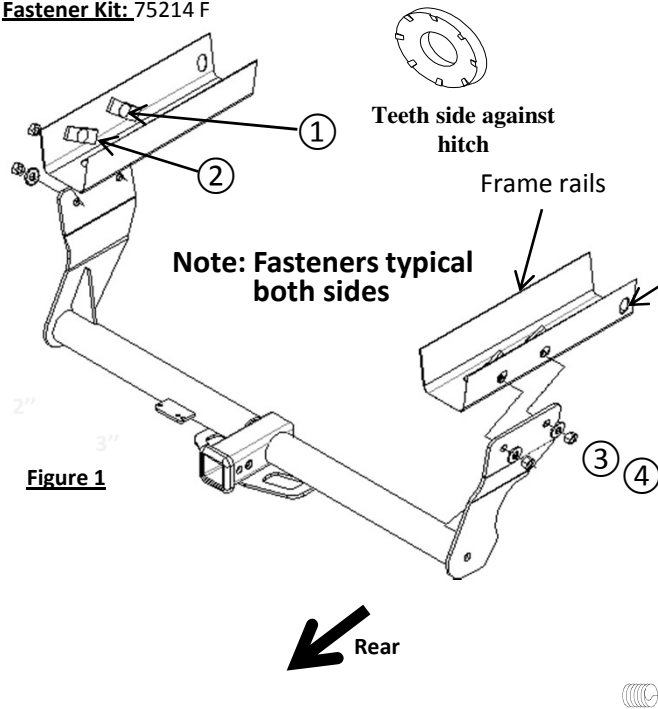
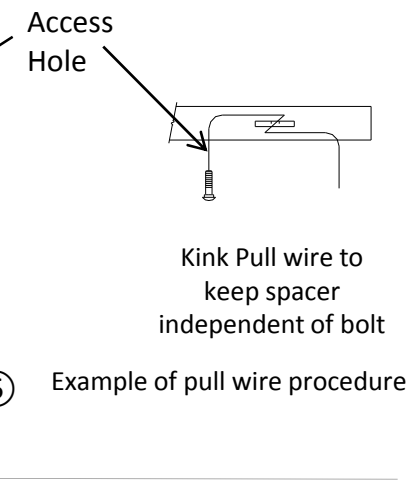



Figure 3

Fastener Kit: 75214 F



Note: Fasteners typical both sides



- Remove appearance panels on both side near the wheel well and covering the frame rails, remove (2) hex nuts (M10 socket) on bottom of the frame rail and (2) hex nuts with a (M5.5 socket) at the bottom of the frame rail. Both sides. Will need to trim or remove once hitch is in place.
- Lower the exhaust at the rubber isolators on both sides of the exhaust. Support the exhaust to prevent damage to the vehicle. Note: Spraying a lubricant or soapy water on the metal hanger rod and the rubber isolator helps removal.
- Feed the coiled end of the pull wire through rearward hole and out the access hole. Attach spacer and carriage bolt onto pull wire and feed the fasteners into location through the hole. Leave pull wires attached. Repeat the same process on the both frame rails. Note: it may be easier to install the carriage bolt head first. Repeat with the forward holes. Both frame rails. Note: carriage bolt tight fit into access hole may be necessary to use a file or wrench to open access hole. See figure 3.
- Pull the pull wire with fasteners into location through the hole. Leave pull wires attached. Repeat the same process on both frame rails. Push the fasteners back into the frame rails with the pull wire attached, to allow the hitch to go into position. See figure 2
- Raise the hitch into position, feeding the end of the pull through the holes in the hitch. Then pull the fasteners back through the frame rails and hitch brackets. Repeat the same process on both frame rails.
- Feed conical washer over pull wire, using the washer to hold the bolt in place remove the pull wires and attach the hex nut. Tighten to hold hitch in place, repeat with all fasteners.
- Hitch will tend to slant at a slight angle downward, push hitch straight up into frame and tighten hitch.
- Tighten all ½-13 GR5 fasteners with torque wrench to 75 Lb.-Ft. (102 N*M)**  **Proper torque is needed to keep the hitch secure to the vehicle when towing.**

- Raise exhaust back into position, spraying a lubricant or soapy water on the metal hanger rod. Working on one side at a time. Note: the entire rubber isolator can move on the metal rod to re-install the exhaust it will be necessary to push the rubber isolator toward the outside, while attaching the remaining metal rod back into position.
 - Trim appearance panel removed in step 1 or return to owner. Obtain owner permission before trimming. With the marker mark out the area to be trimmed, then using the utility knife trim the area. See figure 4. Re-install appearance panel
- Note: check hitch frequently, making sure all fasteners and ball are properly tightened. If hitch is removed, plug all holes in trunk pan or other body panels to prevent entry of water and exhaust fumes. A hitch or ball which has been damaged should be removed and replaced. Observe safety precautions when working beneath a vehicle and wear eye protection. Do not cut access or attachment holes with a torch.

This product complies with safety specifications and requirements for connecting devices and towing systems of the state of New York, V.E.S.C. Regulation V-5 and SAE J684.