

Installation Instructions

Part Numbers:

75151

44738

87533

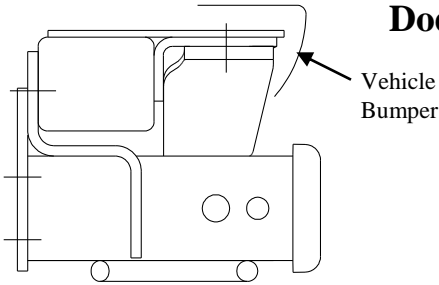
41890 UHAUL

Dodge Ram 1500 Pickup (Built after 11-1-02)

Dodge Ram 2500 Pickup

Dodge Ram 3500 Pickup

**Do Not Exceed Lower of Towing Vehicle
Manufacturer's Rating or**



Hitch Shown In Proper Position

Equipment Required: Pull Wire (Provided), Pliers

Fastener Kit: 75151F

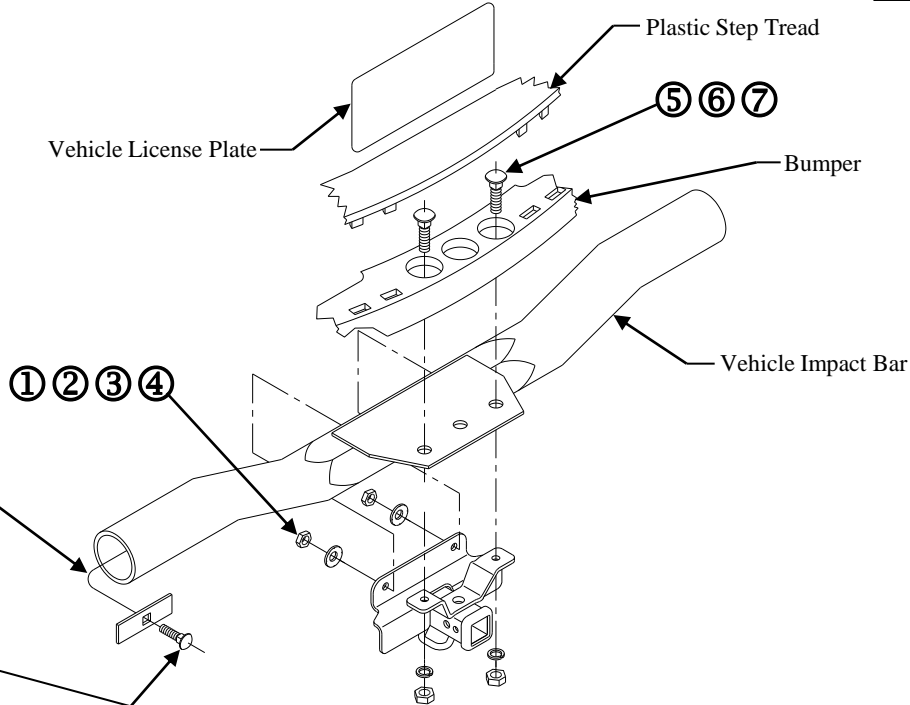
Wrenches: 3/4", 15/16"

Drill Bits: None

Hitch type	Max Gross Trailer WT (LB)	Max Tongue WT (LB)
Weight Distributing	8000 (3632 Kg.)	800 (363 Kg.)
Weight Carrying Ball Mount	5000 (2270 Kg.)	500 (227 Kg.)

Accessory Rating	D
------------------	----------

Wiring Access Location: PU3



①	Qty. (2)	Carriage Bolt 1/2-13 x 1-3/4 GR5	⑤	Qty. (2)	Carriage Bolt 5/8-11 x 2" GR5
②	Qty. (2)	Spacer Block 1/4 x 1 x 3	⑥	Qty. (2)	Lock Washer - 5/8"
③	Qty. (2)	Conical Toothed Washer - 1/2"	⑦	Qty. (2)	Hex Nut 5/8-11
④	Qty. (2)	Hex Nut 1/2-13	⑧	Qty. (2)	Pull Wire - 1/2"

- Lower vehicle spare tire (if required).
 - Squeeze tabs that hold center portion of plastic step tread to impact bar with pliers (4 places - 2 on each end) and lift step tread.
 - Raise hitch into position.
 - Install 5/8" carriage bolts down thru holes between bumper and impact bar. Install lock washer and nut (hand tighten only until all fasteners are installed).
 - Fishwire 1/2" carriage bolts and 1/4 x 1 x 3 spacer blocks thru end of impact bar and into holes in bottom surface of impact bar. Install conical toothed washers and nuts.
Tighten all 1/2-13 GR5 fasteners with torque wrench to 75 Lb.-Ft. (102 N*M)
Tighten all 5/8-11 GR5 fasteners with torque wrench to 150 Lb.-Ft. (203 N*M)
- Note: Tightening will cause 5/8" carriage bolt to draw down into impact bar holes. Carriage bolt must be completely seated to impact bar.
- Raise spare tire (if required).
 - Tap lightly on plastic step tread to secure to bumper.

Cequent

