

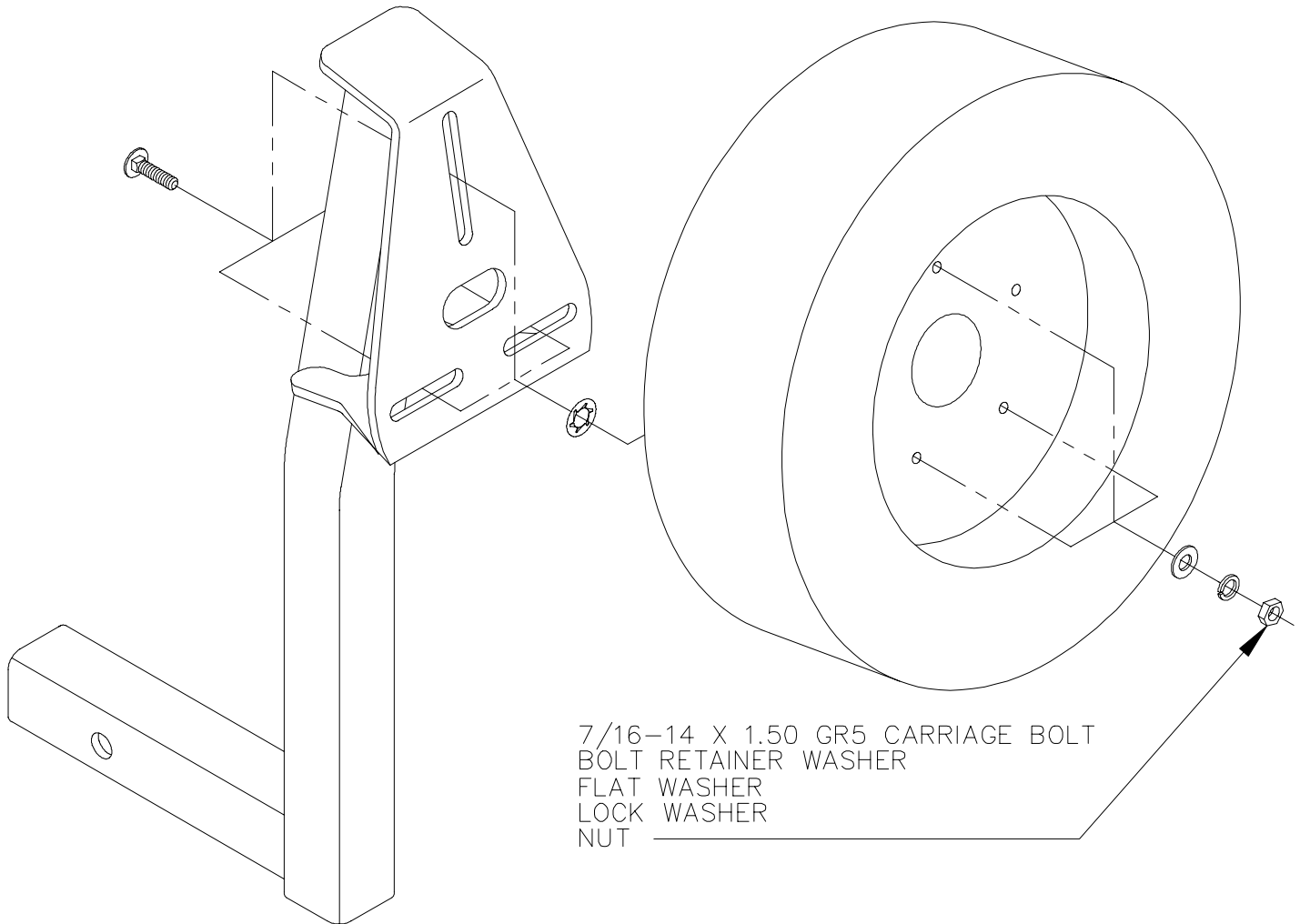
INSTALLATION INSTRUCTIONS

SPARE TIRE CARRIER

PART NUMBER: 6715



RATING: 100 LB. MAXIMUM
SPARE TIRE WEIGHT



7/16-14 X 1.50 GR5 CARRIAGE BOLT
BOLT RETAINER WASHER
FLAT WASHER
LOCK WASHER
NUT

1. INSERT CARRIAGE BOLTS THRU SLOTS IN SPARE TIRE CARRIER AND INSTALL BOLT RETAINER WASHERS.
2. INSTALL SPARE TIRE CARRIER TO RECEIVER USING PIN AND CLIP (SOLD SEPARATELY).
3. ALIGN CARRIAGE BOLTS WITH SPARE TIRE MOUNTING HOLES AND INSTALL REMAINING FASTENERS AS SHOWN ABOVE.

TIGHTEN ALL 7/16 GR5 FASTENERS TO 50 LB-FT.

WARNING

- DO NOT USE IF SPARE TIRE OBSCURES VIEW OF ROAD.
- DO NOT CUT, DRILL, WELD OR MODIFY SPARE TIRE CARRIER.
- DO NOT MOUNT ON A TRAILER.
- NEVER EXCEED SPARE TIRE CARRIER WEIGHT RATING (100 LB. MAX. SPARE TIRE WEIGHT).