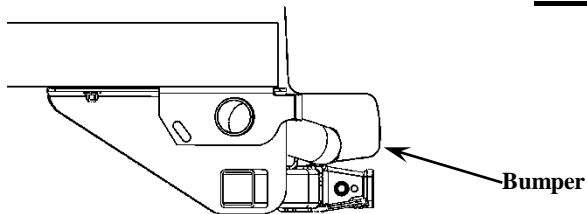


Installation Instructions

RAM 1500

Part Numbers:

41948



Bumper

Hitch Shown In Proper Position

Equipment Required:

Fastener Kit: 41948F

Wrenches: 3/4", 21mm

Drill Bits: None

**Do Not Exceed Lower of Towing Vehicle
Manufacturer's Rating or**

Hitch type	Max Gross Trailer WT (LB)	Max Tongue WT (LB)
Weight Distributing	15,000 (6810 kg)	1,500 (681 kg)
Weight Carrying Ball Mount	12,000 (5448 kg)	1,500 (681 kg)

Accessory Rating	D
------------------	----------

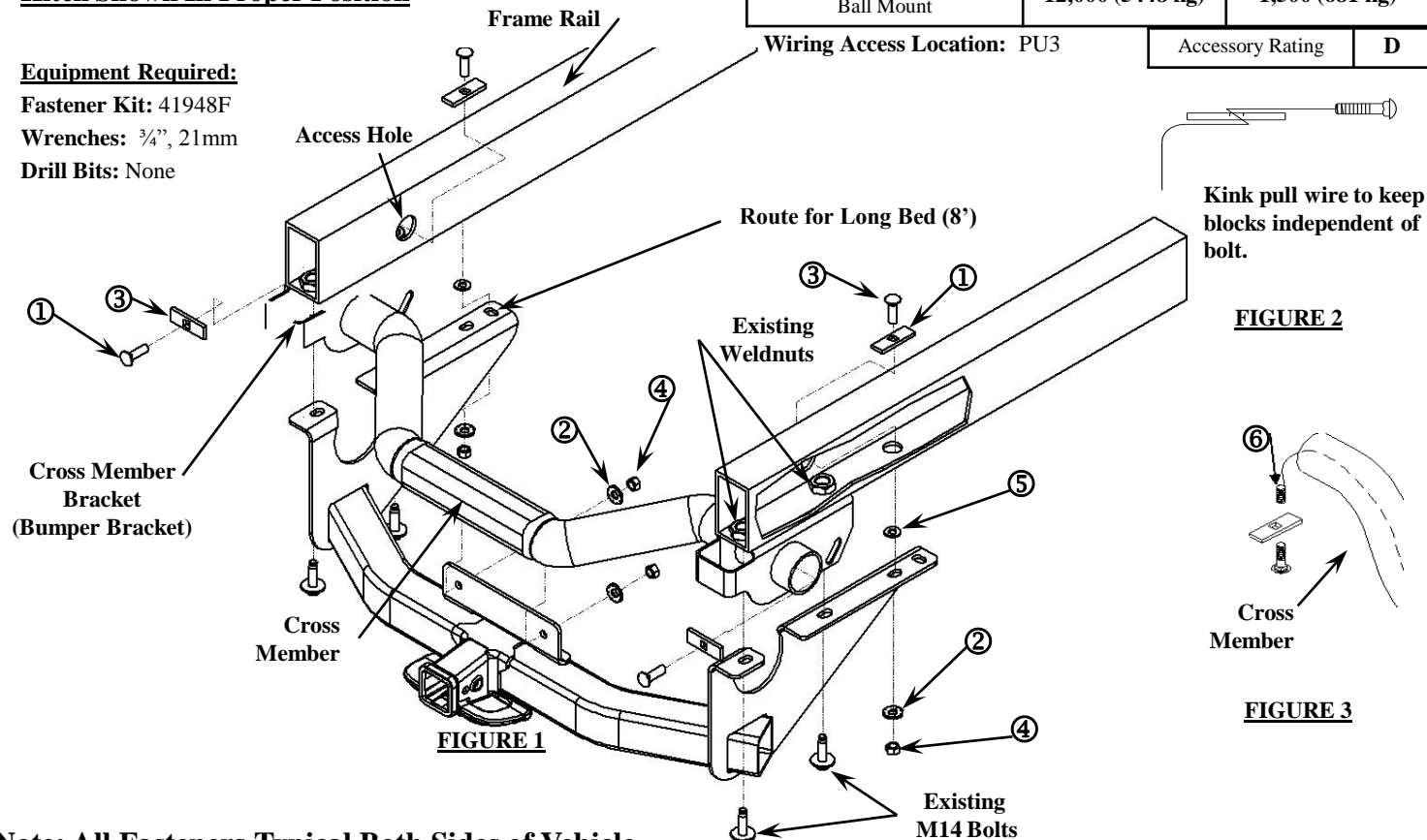


FIGURE 1

FIGURE 2

FIGURE 3

Note: All Fasteners Typical Both Sides of Vehicle

①	Qty. (4)	CARRIAGE BOLT- 1/2" - 13 X 1 3/4" GR5	④	Qty. (4)	HEX NUT- 1/2"-13
②	Qty. (4)	CONICAL TOOTHED WASHER - 1/2"	⑤	Qty. (2)	FLAT WASHER- 1/2"
③	Qty. (4)	BLOCK - 1/4" X 1" X 3"	⑥	Qty. (4)	PULL WIRE- 1/2"

Removal of the spare tire will make installation easier.

- 1) Remove the existing M14 bolts from each cross member bracket.
- 2) Feed pull wire through vehicle cross member (figure 3). Attach block (Item 3), and carriage bolt (Item 1), and pull fasteners through vehicle cross member and into position as shown (figure 2).
- 3) Fishwire blocks and carriage bolts through the frame rails into the existing holes in the vehicle.
- 4) Raise hitch into position,
- 5) Install 1/2 flat washer (item 5) between frame rail and hitch as shown for rear attachment.
- 6) Reinstall existing M14 bolts through receiver and frame into existing weldnuts.
- 7) Loosely install conical washers (Item 2) and nuts (Item 4) onto carriage bolts.
- 8) Torque all fasteners to specifications.

Tighten all M14 X 1.5 (fine thread) fasteners with torque wrench to 148 Lb.-Ft. (201 N*M)

Tighten all 1/2"-13 GR5 fasteners with torque wrench to 75 Lb.-Ft. (102 N*M)

Note: check hitch frequently, making sure all fasteners and ball are properly tightened. If hitch is removed, plug all holes in trunk pan or other body panels to prevent entry of water and exhaust fumes. A hitch or ball which has been damaged should be removed and replaced. Observe safety precautions when working beneath a vehicle and wear eye protection. Do not cut access or attachment holes with a torch.