

# Installation Instructions

Part Numbers:

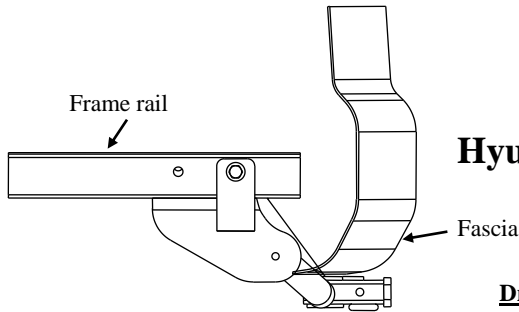
**36536**

**90233**

**06158**

## Kia Sorento Hyundai Santa Fe Sport (5-Passenger)

**Do Not Exceed Lower of Towing Vehicle  
Manufacturer's Rating or**



**Drawbar Kit:**  
36051

Hitch type	Max Gross Trailer WT (LB)	Max Tongue WT (LB)
Weight Carrying Ball Mount	<b>3500 Lb (1589 Kg)</b>	<b>300 Lb (136 Kg)</b>

**Wiring Access Location: SUV1, SUV2**

Accessory Rating	<b>B</b>
------------------	----------

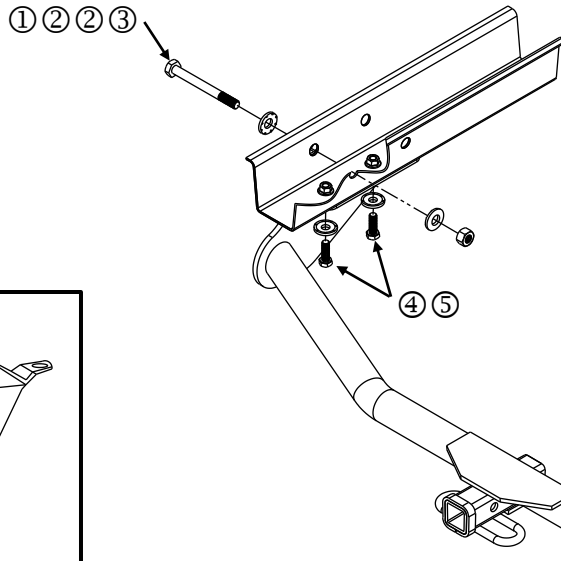
### Hitch Shown In Proper Position

**Equipment Required:** #2 Phillips Screwdriver

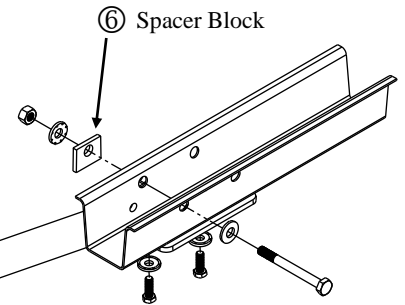
**Fastener Kit:** 36536F

**Wrenches:** 17mm, 19mm

**Drill Bits:** None



### Fasteners typical both sides



Cut Down at Radius

2"

**Figure 2**

**Figure 1**

①	Qty. (2)	M12 x 1.75 x 120 Bolt CL8.8	④	Qty. (4)	M10 x 1.25 x 30 Bolt CL10.9
②	Qty. (4)	1/2" Conical Washer	⑤	Qty. (4)	7/16" Conical Washer
③	Qty. (2)	M12 x 1.75 Nut CL10	⑥	Qty. (1)	Spacer Block, 1/4 x 1 x 2

1. Lower and remove spare tire from vehicle. The tire release is located underneath the storage compartment in the back of the vehicle.
2. Remove the driver side rear plastic cover, located underneath the vehicle, by using a #2 Phillips head screwdriver to remove fasteners, also remove (4) plastic push pins. Then remove the passenger side rear plastic cover, located underneath the vehicle, by removing fasteners, and (3) plastic push pins (Do not discard items).
3. Lower exhaust by removing the rear and side hangers.
4. Raise hitch into position and insert M12 bolts through the bracket and frame as shown in Figure 1. Note: The bumper locator pin may interfere with the hitch hardware. If necessary, use an angle grinder to trim the locator pin at the shoulder to allow proper hardware clearance.
5. Insert M10 bolts through bracket and into the frame as shown in Figure 1 (Hand tighten).
6. Torque M10 bolts first and then M12 bolts to the specifications below.
7. Reinstall exhaust hangers into mounts.
8. Trim rear plastic covers as shown in Figure 2, then raise into position, reinstall the fasteners and push pins that were removed in Step 2.  
**CONSULT WITH VEHICLE OWNER BEFORE CUTTING REAR PLASTIC COVERS**
9. Reinstall spare tire and make sure it is seated properly.

**Tighten all M10 CL10.9 fasteners with torque wrench to 40 Lb.-Ft. (54 N\*M)**

**Tighten all M12 CL8.8 fasteners with torque wrench to 72 Lb.-Ft. (98 N\*M)**

**Cequent**

