

Installation Instructions

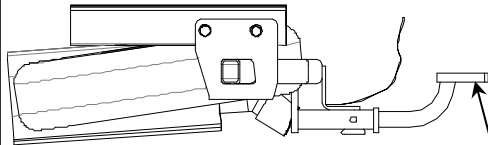
Part Numbers:

Kia Rondo

36525

90220

06184



Drawbar Kit:
36061
Drawbar must be used in the **Rise** position only.

**Do Not Exceed Lower of Towing Vehicle
Manufacturer's Rating or**

3500 LB (1589 Kg) Max Gross Trailer Weight

300 LB (136 Kg) Max Tongue Weight

Accessory Rating

B

Hitch Shown In Proper Position

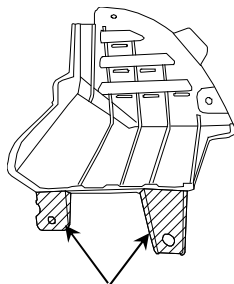
Equipment Required: Lubricant or soapy water

Fastener Kit: 36525F

Wrenches: 10mm, 17mm, small philips screwdriver

Drill Bits: None

Wiring Access Location:



Area to be trimmed.

Figure 2.

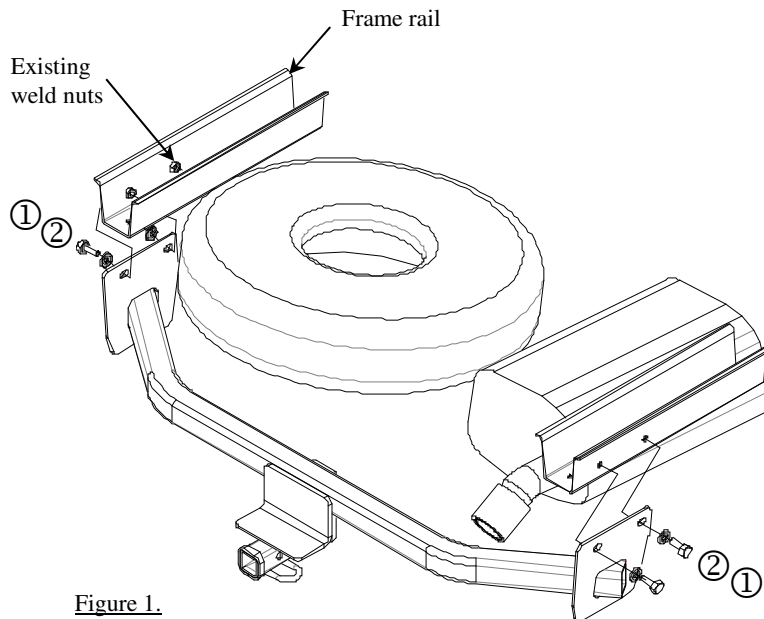


Figure 1.

①	Qty. (4)	Bolt M10 x 1.25 x 30 CL8.8	②	Qty. (4)	Conical washer 3/8"
---	----------	----------------------------	---	----------	---------------------

1. Loosen the spare tire for additional clearance during hitch installation.
2. Remove the cover panels on both side of frame rails. Obtain owners permission to trim or return to owner. See Figure 2.
3. Lower exhaust system at the rear rubber isolator leaving the rubber isolator in place on the vehicle. Spraying a lubricant or soapy water on the metal hanger rod and the rubber isolator helps removal.
4. Lift hitch into position, passengers side first. Place hitch over the top of the tail pipe. Rotate into position on the outside of the frame rail.
5. Install fasteners as shown. Figure 1.
6. Tighten all fasteners to required specification.
7. Re-install appearance panels if trimmed.
8. Reattach vehicle exhaust, spraying a lubricant or soapy water will help.
9. Tighten spare tire back into position, if lowered.

Tighten all M10 CL 8.8 fasteners with torque wrench to 42 Lb.-Ft. (57 N*M).

Note: check hitch frequently, making sure all fasteners and ball are properly tightened. If hitch is removed, plug all holes in trunk pan or other body panels to prevent entry of water and exhaust fumes. A hitch or ball which has been damaged should be removed and replaced. Observe safety precautions when working beneath a vehicle and wear eye protection. Do not cut access or attachment holes with a torch.