



Installation Instructions

Toyota Camry
Toyota Camry Hybrid
Lexus ES350

Part Numbers:

36416

90152

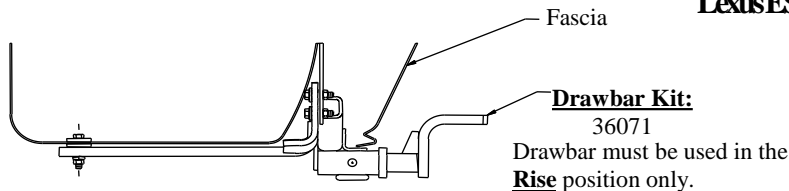
06397

36314 U-HAUL

**Do Not Exceed Lower of Towing Vehicle
Manufacturer's Rating or**

3500 lb, 1589 kg Max Gross Trailer Weight

300 lb, 136 kg Max Tongue Weight



Hitch Shown In Proper Position

Wiring Access Location: PC3, PC4

Accessory Rating

A

Equipment Required:

Fastener Kit: 36416F

Wrenches: 10mm, 12mm, 14mm, 17mm

Drill Bits: 1/2"

Hitch Requires 1/2" pin and clip.

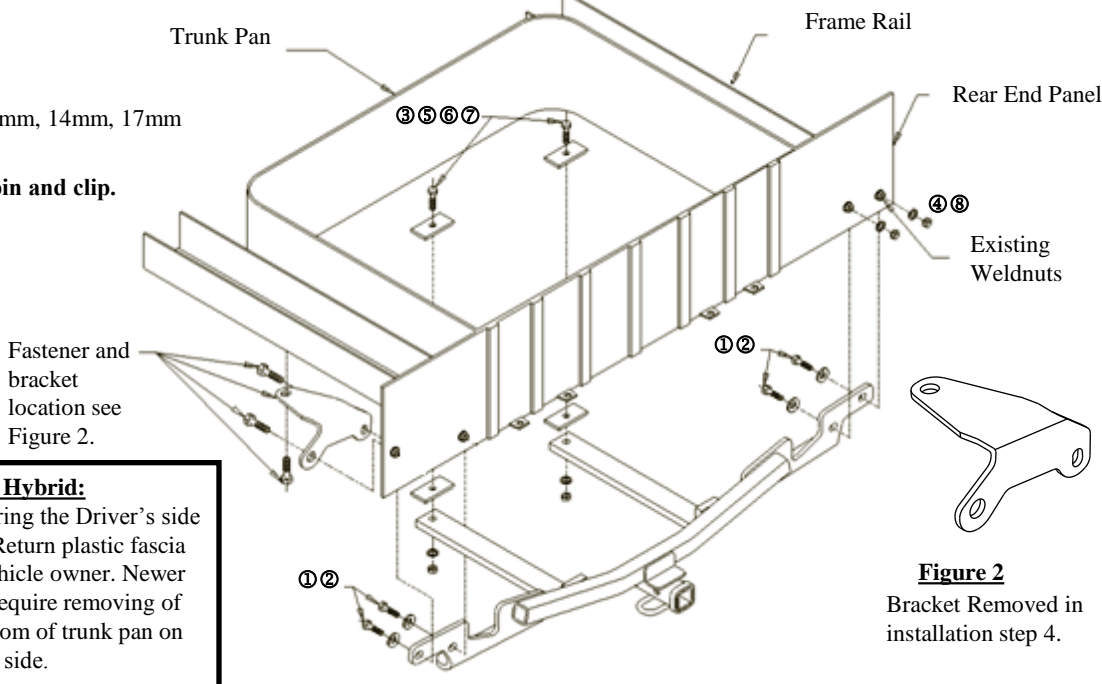


Figure 2

Bracket Removed in installation step 4.

Tovota Camry Hybrid:
Remove plastic fascia covering the Driver's side frame rail of the vehicle. Return plastic fascia covering and screws to vehicle owner. Newer model Hybrids will also require removing of plastic fin attached to bottom of trunk pan on Passenger's side.

①	Qty. (4)	M10 X 40 X 1.25 CL8.8 Hex Bolt	⑤	Qty. (4)	Block 1/4 X 1.50 X 3.00
②	Qty. (4)	3/8" Conical Toothed Washer	⑥	Qty. (2)	1/2" Lockwasher
③	Qty. (2)	1/2-13 X 2.00 GR 5 Hex Bolt	⑦	Qty. (2)	1/2" Hex Nut
④	Qty. (2)	M10 X 1.25 Hex Nut	⑧	Qty. (2)	7/16 Washer

1. Remove spare tire from the inside of the trunk of the vehicle.
2. Lower vehicle exhaust by removing the rubber exhaust hangers.
3. Remove fascia rivets from the fascia tabs between the trunk pan of the vehicle and the rear fascia. If present, remove the plastic under covering located under the trunk pan.
4. Remove the existing bracket shown in [Figure 2](#) from the driver's side vehicle frame rail and the rear end panel and return to vehicle owner.
5. Raise hitch into position and install the M10 Hex bolts and the 3/8" conical toothed washers into the existing weldnuts in the vehicle. If no weldnuts are present on the passenger side, then use the nuts and washers provided. (④, ⑧)
6. Using the hitch as a template, drill two holes through the trunk pan of the vehicle.
7. From the inside of the trunk, scrape the foam rubber material away from the inside surface of the trunk pan around the holes drilled in step 5.
8. Install the 1/2" hex bolts, blocks, lockwashers and nuts as shown above.
9. Reinstall the spare tire inside the trunk.
10. Reattach the rubber exhaust hangers, and insert the fascia rivets back into to the fascia tabs removed in step 3.

Tighten all M10 CL8.8 fasteners with torque wrench to 42 Lb.-Ft. (57 N*M)

Tighten all 1/2-13 GR5 fasteners with torque wrench to 75 Lb.-Ft. (102 N*M)