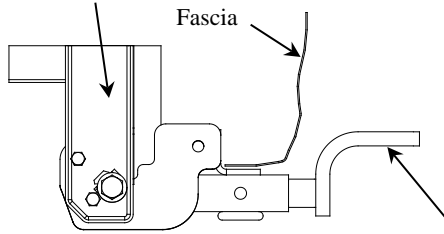


Vehicle tie
down bracket



Installation Instructions

Toyota Yaris Hatchback

Part Numbers:

24911
60343
77298

Drawbar Kit:
3593

Drawbar must be used in the **RISE** position only.

**Do Not Exceed Lower of Towing Vehicle
Manufacturer's Rating or**

2000 LB (908 Kg) Max Gross Trailer Weight

200 LB (90.8 Kg) Max Tongue Weight

Accessory Rating **A**

Wiring Access Location: PC3, 4

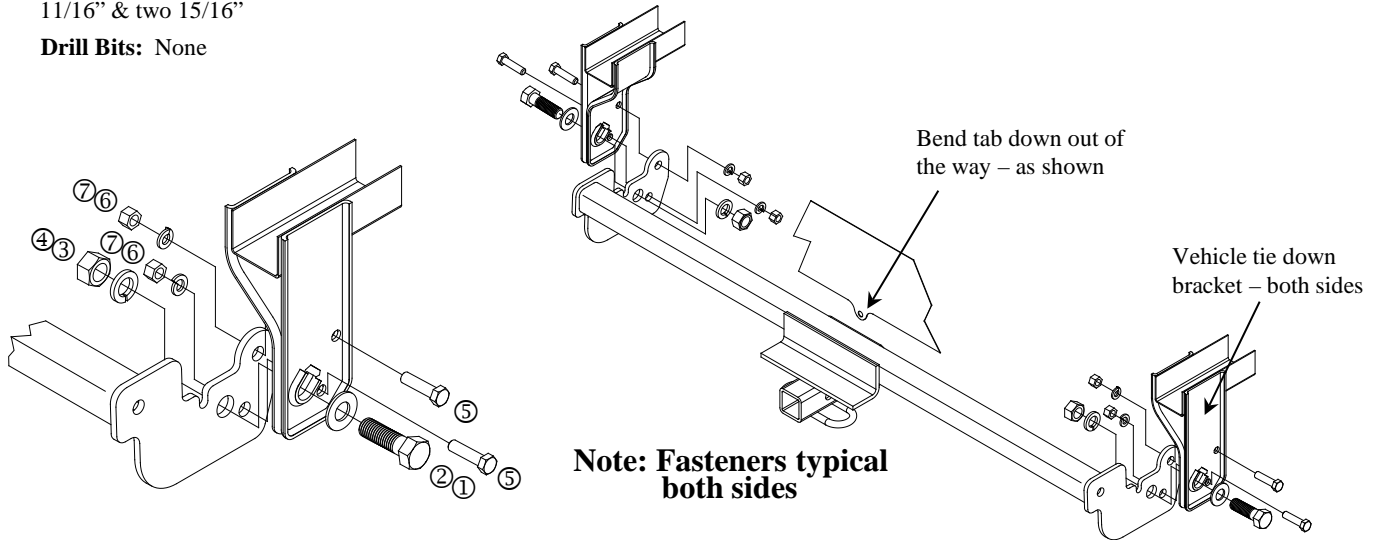
Hitch Shown In Proper Position

Equipment Required: Pliers, small flat screwdriver

Fastener Kit: 24911F

Wrenches: 9/16" open end wrench,
11/16" & two 15/16"

Drill Bits: None



①	Qty. (2)	Bolt 5/8-11 X 2.0 GR8	⑤	Qty. (4)	Bolt 3/8-16 X 1.50 Gr8
②	Qty. (2)	Flat washer 5/8"	⑥	Qty. (4)	Lock washer 3/8"
③	Qty. (2)	Lock washer 5/8"	⑦	Qty. (4)	Hex nut 3/8-16
④	Qty. (2)	Hex nut 5/8-11			

1. Locate a tab at the bottom center of the trunk pan, bend down and out of the way.
2. Remove the (2) plastic rivets that fasten the fascia tabs to the vehicle. Note: Remove the center of the rivet with a flat screwdriver. Keep for re-installation.
3. Raise hitch into position passenger side first. Slide hitch under the fascia tab and over the top of the exhaust being careful not to scratch the fascia.
4. Slide the hitch under the fascia tab on the drivers side and into location between the vehicle's tie down brackets.
5. Install the 5/8 bolts and flat washer to the outside of the tie down bracket, both sides as shown. Attach the lock washers and hex nuts. (Do not tighten at this time.)
6. Install remaining fasteners as shown, both sides.
7. Tighten all fasteners to the required torque specification.
8. Re-install the plastic rivets.

Tighten all 5/8-11 Gr8 fasteners with torque wrench to 212 Lb.-Ft. (287 N*M)

Tighten all 3/8-16 Gr8 fasteners with torque wrench to 45 Lb.-Ft. (61 N*M)