

Installation Instructions

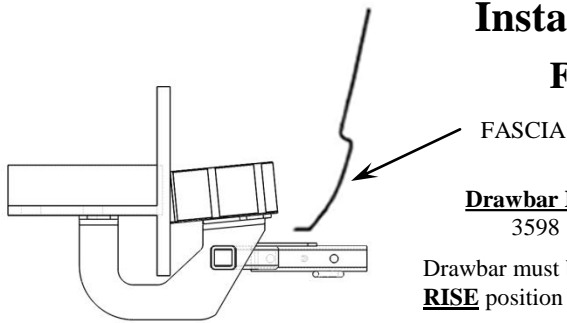
Ford Fiesta Sedan

Part Numbers:

24910

60342

77297



Drawbar Kit:
3598

Drawbar must be used in the **RISE** position only.

**Do Not Exceed Lower of Towing Vehicle
Manufacturer's Rating or**

2000LB (908Kg) Max Gross Trailer Weight

200 LB (90.8 Kg) Max Tongue Weight

Accessory Rating	A
------------------	----------

Hitch Shown In Proper Position

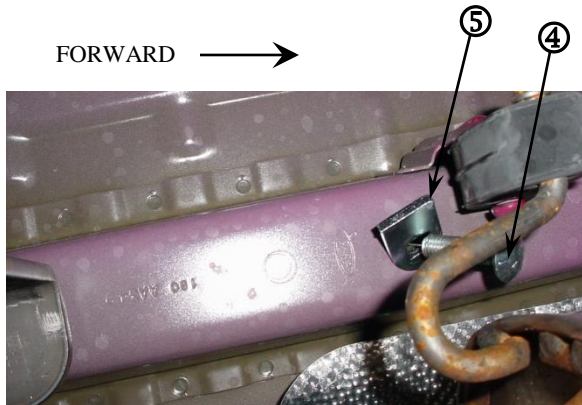
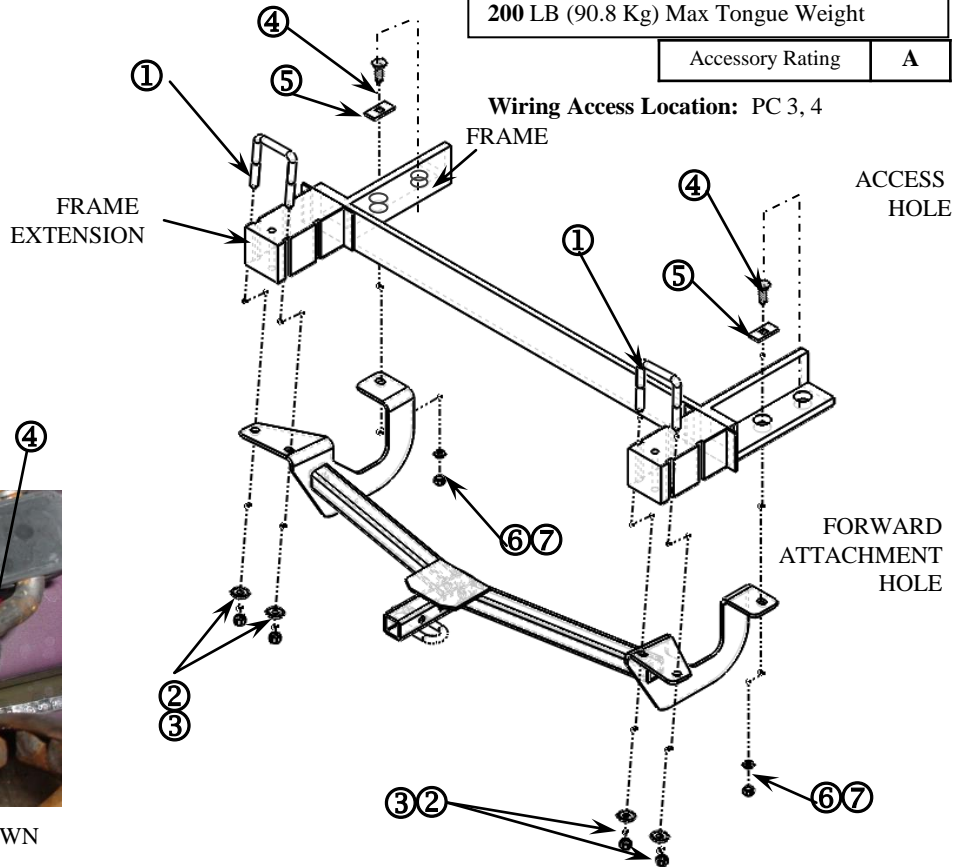
Equipment Required: Fishwire (provided)

Fastener Kit: 24910F

Wrenches: 5/8", 11/16"

Drill Bits: none

Wiring Access Location: PC 3, 4



PASSENGER SIDE FRAME RAIL SHOWN

①	Qty. (2)	U-BOLT 7/16-20	⑤	Qty. (2)	BLOCKS – 3/16 X 1 X 2
②	Qty. (4)	CONICAL WASHER – 7/16	⑥	Qty. (2)	LOCK WASHER – 7/16
③	Qty. (4)	NUT – 7/16-20	⑦	Qty. (2)	NUT – 7/16-14
④	Qty. (2)	CARRIAGE BOLT 7/16-14 X 1-1/2	⑧	Qty. (1)	Fishwire

- Place the U-bolts in rear most indentation in frame extension as shown.
- Raise hitch into place and loosely install the conical washers and 7/16-20 (fine thread) nuts.
- Using the fishwire (provided) insert coiled end thru forward attachment hole in hitch, into the frame, and out the access hole. Slide block on and thread carriage bolt into the coil of the fishwire. Keep block and bolt separate until inside frame (see photo above). Pull carriage bolt and block into position with the thread showing below hitch side bracket. Install lock washer and 7/16-14 (course thread) nut.
- Tighten all fasteners to the required torque specifications.

Tighten all 7/16 fasteners with torque wrench to 50 Lb.-Ft. (68 n*m)