

Installation Instructions

Part Numbers:
24899
60325
77287

Honda Accord
Acura TL
Acura TSX

2008 – 2012 Honda Accord
 2008 & Up Acura TL
 2008 – 2012 Acura TSX

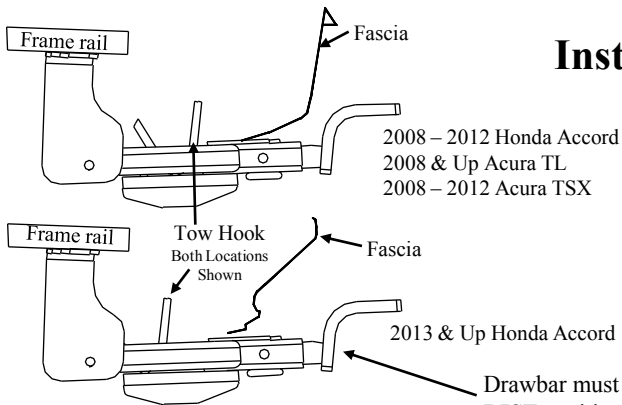
Drawbar Kit:
 3593

**Do Not Exceed Lower of Towing Vehicle
 Manufacturer's Rating or**

2000 LB (908 Kg) Max Gross Trailer Weight
200 LB (90.8 Kg) Max Tongue Weight

Accessory Rating	A
------------------	---

Wiring Access Location: PC3, 4



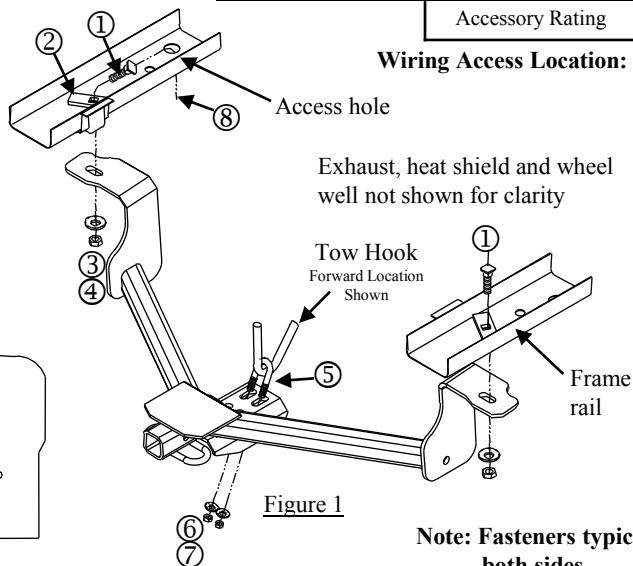
2013 & Up Honda Accord
 Drawbar must be used in the **RISE** position only.

Hitch Shown In Proper Position

Equipment Required: Metal Shears, Lubricant or Soapy water, Die Grinder

Fastener Kit: 24899F

Wrenches: 10mm, 11/16"



Note: Fasteners typical both sides

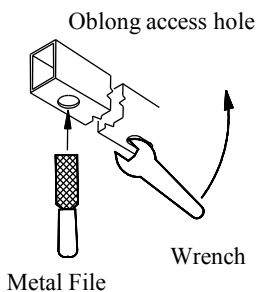


Figure 2

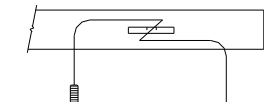


Figure 3
 Kink Pull wire to keep spacer independent of bolt

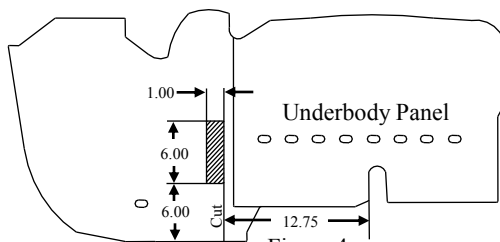


Figure 4

①	Qty. (2)	Carriage bolt 7/16-14 X 1.50 GR5	⑤	Qty. (1)	U-Bolt 3/8 GR5
②	Qty. (2)	Spacer	⑥	Qty. (2)	Conical washer 3/8
③	Qty. (2)	Conical washer 7/16	⑦	Qty. (2)	Hex nut 3/8
④	Qty. (2)	Hex nut 7/16	⑧	Qty. (2)	Pull wire 7/16

- Lower exhaust (2) rubber isolator on single exhaust, (4) rubber isolators on dual exhaust. Note: Spraying a lubricant or soapy water on the metal hanger rod and the rubber isolator helps removal.
- Remove heat shield(s) and underbody panel (if present). Save panel and fasteners for reinstallation.
- Check to see if spacer and carriage bolt will fit through access hole, if not modify hole to accept hardware, the illustration above (Figure 2) shows two ways of achieving this, the first is using a file, the second is by inserting a wrench or prying as shown. **Enlarge hole just enough to get hardware through.**
- Feed spacers and carriage bolts into position using the pull wires provided (both rails). Leave pull wire attached. Note: It is much easier if bolt and spacer are not engaged while inserting them into frame, refer to illustration. See Figure 3.
- Hang U-bolt on tow hook.
- Raise hitch into position with U-Bolt in one of two locations. Feed pull wires through hole in side arm.
- Attach fasteners as shown. Note: Be careful not to push fasteners into frame rails.
- Tighten to specification
- Prior to trimming panel, obtain vehicle owner's approval or return untrimmed panel.
- Trim underbody panel (if present) as shown in Figure 4. The dimensions given are estimates and should be confirmed prior to trimming. After trimming, slide the hitch bracket through the cut in the underbody panel until it is in cut-out region.
- Raise underbody panel into position and reinstall fasteners.
- Reattach heat shield(s). Bend heat shield over hitch as needed. Trim minimally around new fasteners if needed.
- Reattach exhaust. Note: If additional exhaust clearance is required, bend exhaust hanger bracket, which is welded to vehicle frame, downward.

Tighten all 3/8 GR5 fasteners with torque wrench to 30 Lb.-Ft. (41 N*M)
 Tighten all 7/16 GR5 fasteners with torque wrench to 50 Lb.-Ft. (68 N-M)