



Installation Instructions

Part Numbers:

Mazda 5

24874

60291

77262

Drawbar Kit:

3592

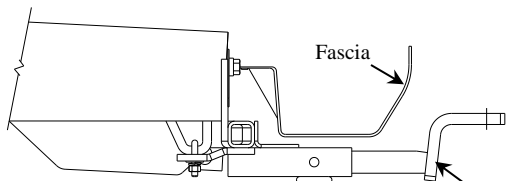
Drawbar must be used in the **Rise** position only.

Do Not Exceed Lower of Towing Vehicle Manufacturer's Rating or

2000 LB (908 Kg) Max Gross Trailer Weight

200 LB (90.8 Kg) Max Tongue Weight

Wiring Access Location: PC3, 4



Hitch Shown In Proper Position

Equipment Required: Pullwires (provided), Masking tape, Small screwdriver, Paint

Fastener Kit: 24874F

Wrenches: 11/16", (2) 3/4"

Drill Bits: 3/8" or 1" Hole Saw or cutting tool

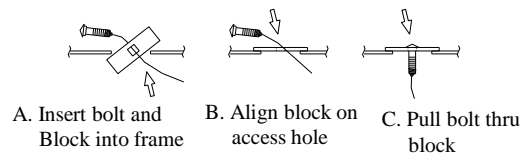


Figure 4

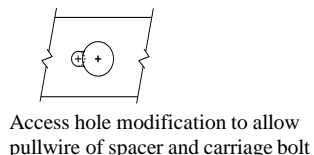


Figure 2

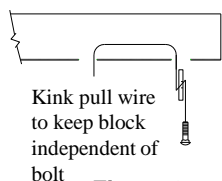


Figure 3

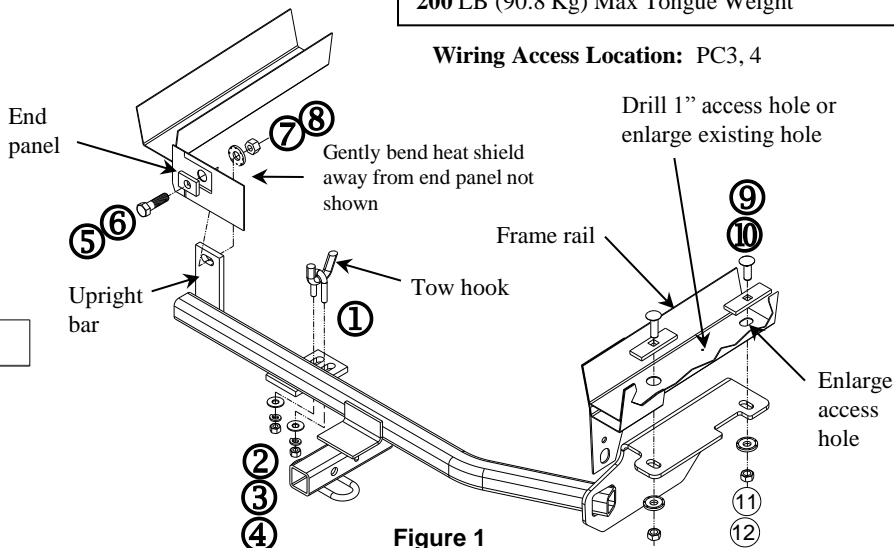


Figure 1

Note: sort hardware prior to hitch installation to confirm 1/2" & 7/16" conical washer are kept with coordinated 1/2" & 7/16" bolts.

①	Qty. (1)	U-bolt 3/8-16"	⑦	Qty. (1)	Conical washer 1/2"
②	Qty. (2)	Flat washer 3/8"	⑧	Qty. (1)	Hex nut 1/2-13
③	Qty. (2)	Lock washer 3/8"	⑨	Qty. (2)	Carriage bolt 7/16-14 X 1-3/4" GR5
④	Qty. (2)	Hex nut 3/8-16	⑩	Qty. (2)	Spacer 1/4" X 1" X 3"
⑤	Qty. (1)	Bolts 1/2-13 X 1.75 GR5	⑪	Qty. (2)	Conical washer 7/16"
⑥	Qty. (1)	Spacer 1/4" X 1" X 1-1/2"	⑫	Qty. (2)	Hex nut 7/16-14

- Remove the (2) plastic rivets that fasten the fascia tabs to the trunk pan. Note: Remove the center of the rivet with a screwdriver and remove remaining piece. Rivets to be reinstalled. Carefully push fascia toward the impact bar and out of the way.
- Enlarge the forward access hole or drill 1" access hole in **bottom** of passenger side frame rail between the attachment holes for bolts and spacers. See enlarge method Figure 2. Paint any exposed metal
- Feed spacers and carriage bolts into position using the pull wires provided. Leave pull wire attached. Note: It is much easier if bolt and spacer are not engaged while inserting them into frame, refer to illustration. See Figure 3 & 4.
- Pull heat shield away from end panel to allow access for hitch upright bar. Note; use tape on heat shield due to sharp edges.
- Hang u-bolt on tow hook.
- Raise hitch into position at the tow hook. Maneuver the upright bar between the end panel behind the heat shield. Attach flat washer, lock washer and hex nut. Leave fasteners snug.
- Feed the pull wires through the slots of the passenger side bracket. Shift the bracket into location as shown. Pull the fasteners through the bracket. Remove one pull wire at a time (being careful not to push the fasteners into the frame rail) and attach the conical washer and hex nut as shown. Repeat with remaining fastener.
- Insert the 1/2-13 bolt into the spacer, reaching behind the end panel insert the bolt through the hole in end panel and slot in upright bar and attach the conical washer and hex nut. Orientate the spacer as shown.
- Tighten all fasteners to the required torque specification.
- Reattach the fascia back into position from step 1.
- Push heat shield back into position.

Tighten all 3/8-16 fasteners with torque wrench to 30 Lb.-Ft. (41 N*M)
Tighten all 7/16-14 GR5 fasteners with torque wrench to 50 Lb.-Ft. (68 N*M)
Tighten all 1/2-13 GR5 fasteners with torque wrench to 75 Lb.-Ft. (102 N*M)