

# Installation Instructions

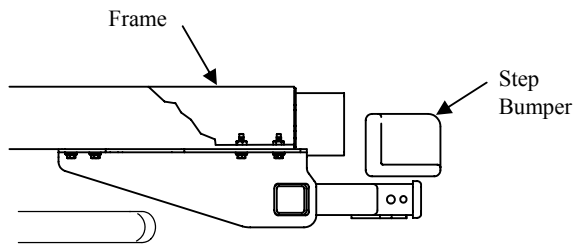
Nissan NV 1500, 2500, & 3500 (All Models)

Part Numbers:

75715

44664

87610



## Hitch Shown In Proper Position

Do Not Exceed Lower of Towing Vehicle  
Manufacturer's Rating or

Hitch type	Max Gross Trailer WT (LB)	Max Tongue WT (LB)
Weight Distributing	10,000 (4535 Kg)	1000 (454 Kg)
Weight Carrying Ball Mount	7500 (3401 Kg)	1125 (510 Kg)

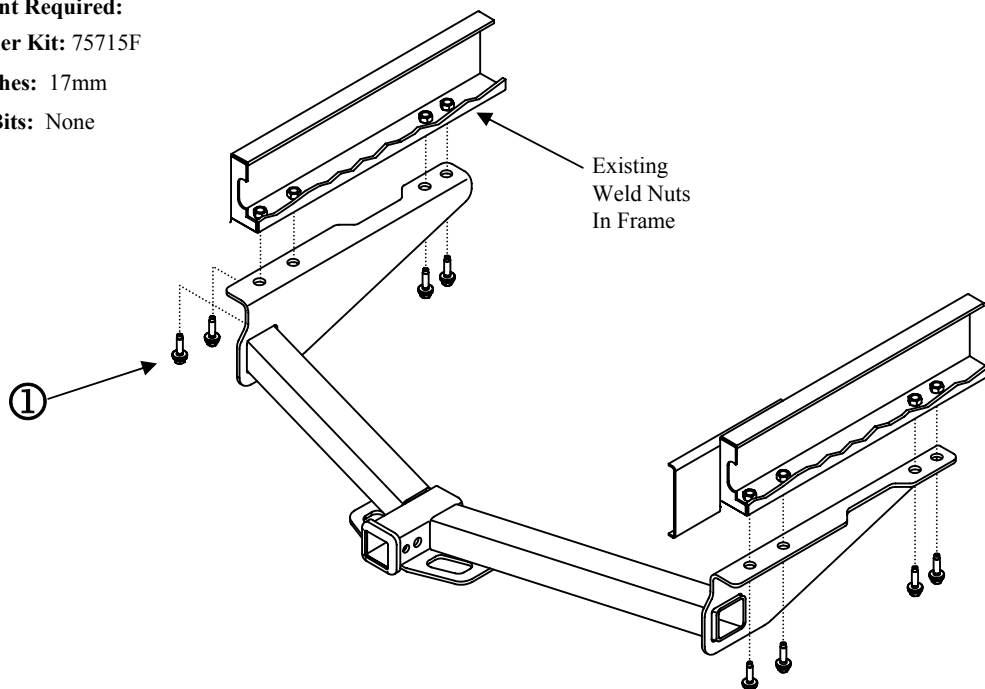
Wiring Access Location: TBD

### Equipment Required:

Fastener Kit: 75715F

Wrenches: 17mm

Drill Bits: None



①	Qty. (8)	Hex Bolt – M12 x 1.25 x 39mm CL10.9			

1. Raise hitch into position aligning holes in hitch with existing weldnuts in bottom of frame.
2. Install M12 bolts into weldnuts (8) places and tighten to specified torque below.

Tighten all M12 fasteners with torque wrench to 76 Lb.-Ft. (103 N\*M)

Note: check hitch frequently, making sure all fasteners and ball are properly tightened. If hitch is removed, plug all holes in trunk pan or other body panels to prevent entry of water and exhaust fumes. A hitch or ball which has been damaged should be removed and replaced. Observe safety precautions when working beneath a vehicle and wear eye protection. Do not cut access or attachment holes with a torch.