

# Installation Instructions

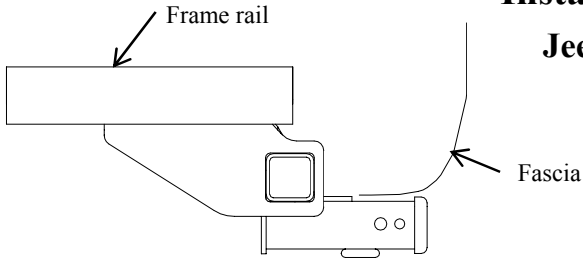
## Jeep Grand Cherokee

Part Numbers:

**75699**

**87595**

**44650**



**Do Not Exceed Lower of Towing Vehicle  
Manufacturer's Rating or**

Hitch type	Max Gross Trailer WT (LB)	Max Tongue WT (LB)
Weight Distributing	<b>7500 (3405 Kg)</b>	<b>750 (341 Kg)</b>
Weight Carrying Ball Mount	<b>5000 (2270 Kg)</b>	<b>500 (227 Kg)</b>

### Hitch Shown In Proper Position

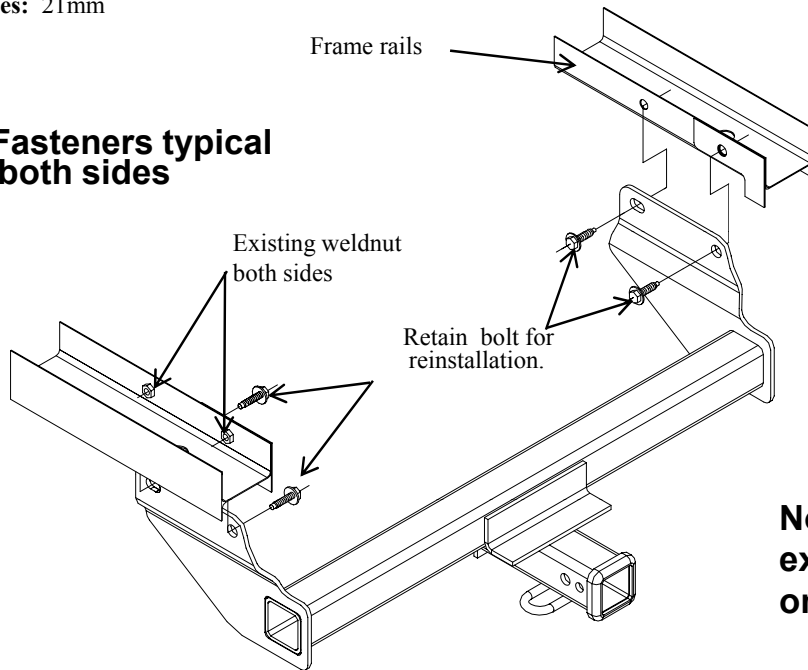
#### Equipment Required:

**Fastener Kit: 75699F**

**Wrenches: 21mm**

**Wiring Access Location: TBD**

### Note: Fasteners typical both sides



**Note: Uses all existing Bolts on Vehicle**

**For vehicles with OEM Tow Hook: Tow hook must be permanently removed for hitch installation**

1. Remove (4) existing M14 bolts (Do Not clean the threads). Retain bolt for reinstallation.
2. Raise hitch into position as shown and install fasteners as shown. If excess caulking on the frame rail interferes with hitch installation lower hitch and scrape excess caulking for installation.
3. Tighten all fasteners to called-out torque specification

Tighten all M14 fasteners with torque wrench to 115 Lb.-Ft. (156 N\*M)

Note: check hitch frequently, making sure all fasteners and ball are properly tightened. If hitch is removed, plug all holes in trunk pan or other body panels to prevent entry of water and exhaust fumes. A hitch or ball which has been damaged should be removed and replaced. Observe safety precautions when working beneath a vehicle and wear eye protection. Do not cut access or attachment holes with a torch.