

Installation Instructions

Land Rover LR2

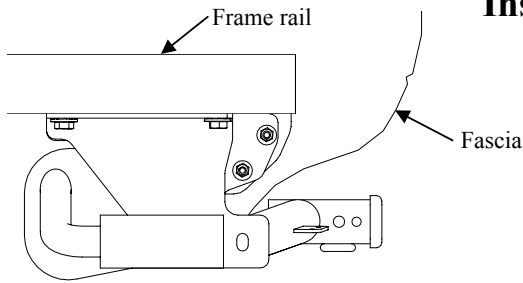
Part Numbers:

75688

87575

44640

78180 U-Haul



**Do Not Exceed Lower of Towing Vehicle
Manufacturer's Rating or**

Hitch type	Max Gross Trailer WT (LB)	Max Tongue WT (LB)
Weight Distributing	4000 (1816 Kg)	400 (182 Kg)
Weight Carrying Ball Mount	4000 (1816 Kg)	400 (182 Kg)

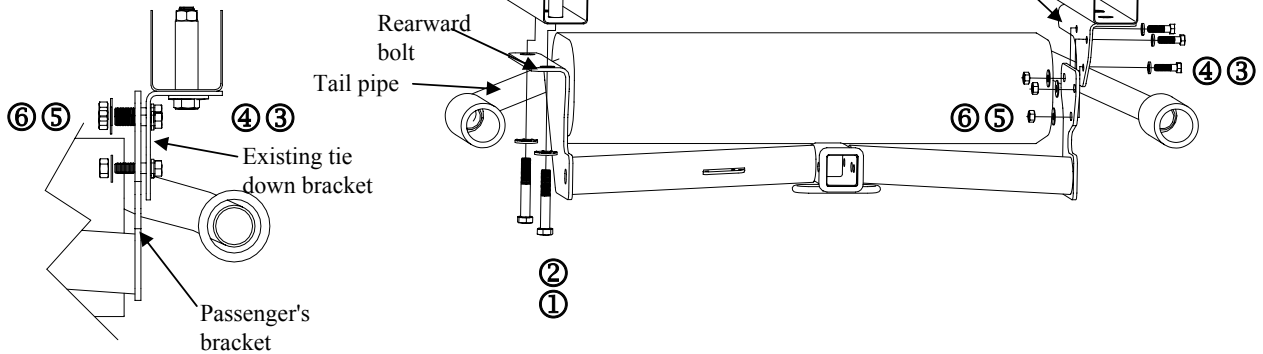
Hitch Shown In Proper Position

Equipment Required:

Fastener Kit: 75688F

Wrenches: 5/8" 11/16", 22mm, 6" Ratchet Extension, & Ratchet swivel

Wiring Access Location:



①	Qty. (2)	Hex bolt M14 X 2.00 X 120mm CL8.8	④	Qty. (3)	Lock washer 7/16"
②	Qty. (2)	Conical washer 5/8"	⑤	Qty. (3)	Flat washer 7/16"
③	Qty. (3)	Hex bolt 7/16-14 X 1.50 GR5	⑥	Qty. (3)	Hex nut 7/16-14

Use caution when working near exhaust.

1. Prior to installation thread M14 bolts (Item 1) into both weldnut to clean out dirt & rust.
2. Raise hitch over tail pipe on the driver's side and start to install rearward bolt to support hitch.
3. Place passenger's bracket against existing tie down bracket on vehicle and install 7/16" hardware as shown.
4. Install forward M14 bolts (Item 1) into weldnut (push tail pipe forward and rotate bolt to get it into place).
5. Torque all fasteners to specifications.

Tighten all M14 CL8.8 fasteners with torque wrench to 100 Lb.-Ft. (136 N*M)

Tighten all 7/16-14 GR5 fasteners with torque wrench to 50 Lb.-Ft. (68 N*M)

Note: check hitch frequently, making sure all fasteners and ball are properly tightened. If hitch is removed, plug all holes in trunk pan or other body panels to prevent entry of water and exhaust fumes. A hitch or ball which has been damaged should be removed and replaced. Observe safety precautions when working beneath a vehicle and wear eye protection. Do not cut access or attachment holes with a torch.