

# Installation Instructions

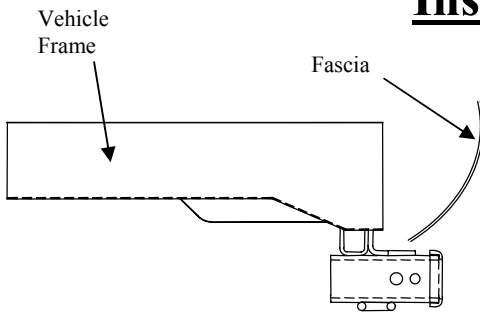
## Saturn Vue

Part Numbers:

**75556**

**87445**

**44580**



**Hitch Shown In Proper Position**

**Do Not Exceed Lower of Towing Vehicle  
Manufacturer's Rating or**

Hitch type	Max Gross Trailer WT	Max Tongue WT
Weight Distributing	<b>4000lb. (1816 Kg)</b>	<b>400 lb. (182 Kg)</b>
Weight Carrying Ball Mount	<b>4000 lb. (1816 Kg)</b>	<b>400 lb. (182 Kg)</b>

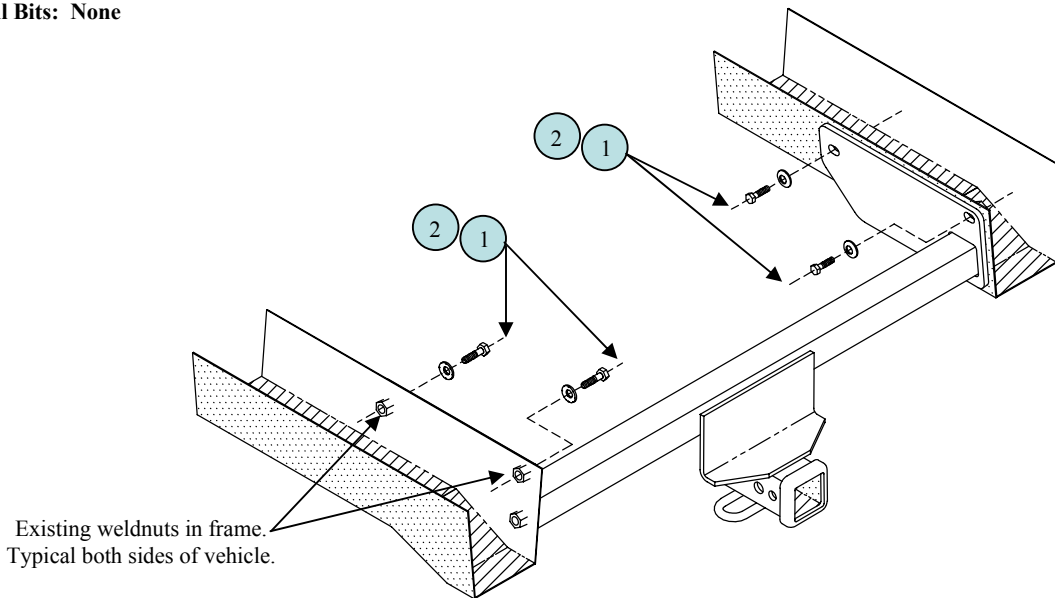
**Equipment Required:**

**Fastener Kit: 75556F**

**Wrenches: 18mm**

**Drill Bits: None**

**Wiring Access Location: SUV3 & SUV4**



<b>1</b>	Qty. (4)	12mm-1.75 X 35mm Cl 10.9 Hex head bolts	<b>2</b>	Qty. (4)	1/2" Conical washers
----------	----------	---	----------	----------	----------------------

1. It may be necessary to temporarily lower exhaust system to allow for easier access to install frame bolts. If necessary remove (2) rearward rubber isolator hangers per side. Spraying with a lubricant will aid in removing isolators off of studs.
2. Raise hitch into position and install 12mm bolts and conical washers supplied into existing weldnuts in vehicle frame as shown above.
3. Reinstall exhaust hangers if removed. Torque all fasteners to specifications below.

**Tighten all 12mm fasteners with torque wrench to 92 lb.-ft., 125 N\*M**

Note: check hitch frequently, making sure all fasteners and ball are properly tightened. If hitch is removed, plug all holes in trunk pan or other body panels to prevent entry of water and exhaust fumes. A hitch or ball which has been damaged should be removed and replaced. Observe safety precautions when working beneath a vehicle and wear eye protection. Do not cut access or attachment holes with a torch.