

# Installation Instructions

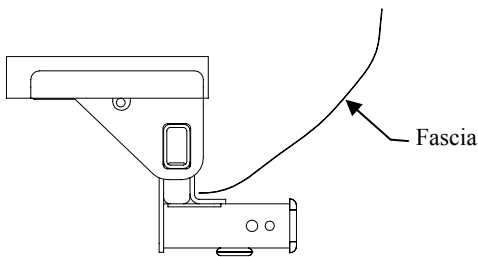
## Mazda CX-7

Part Numbers:

**75512**

**87421**

**44554**



**Do Not Exceed Lower of Towing Vehicle  
Manufacturer's Rating or**

Hitch type	Max Gross Trailer WT (LB)	Max Tongue WT (LB)
Weight Distributing	N/A	N/A
Weight Carrying Ball Mount	<b>3500 (1589 Kg)</b>	<b>350 (159 Kg)</b>

### Hitch Shown In Proper Position

**Equipment Required:** Metal file,  
Pullwire (provided)

**Fastener Kit:** 75512F

**Wrenches:** 11/16

**Drill Bits:** None

**Wiring Access Location:** SUV3, SUV4

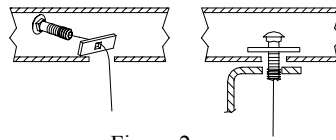
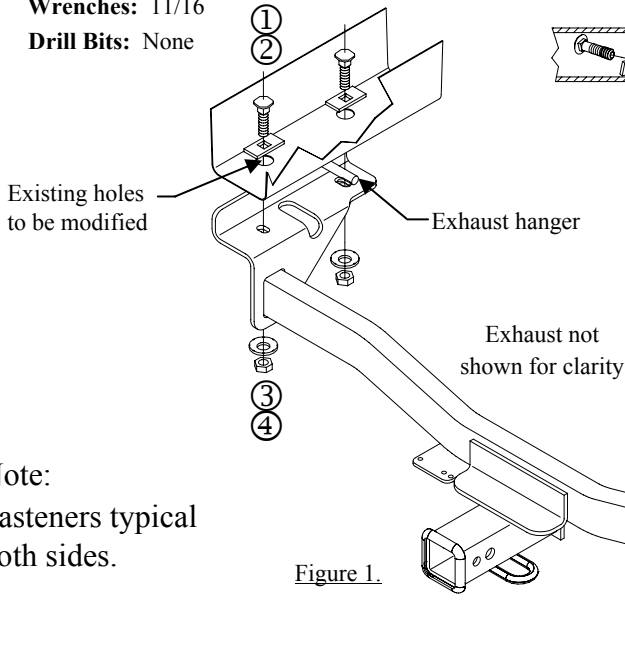


Figure 2.

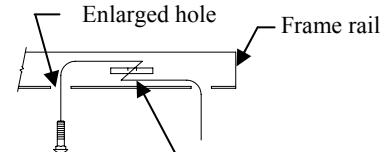


Figure 3.  
Example of  
pullwire procedure  
Kink pullwire to keep spacer independent of bolt

Note:  
Fasteners typical  
both sides.

Figure 1.

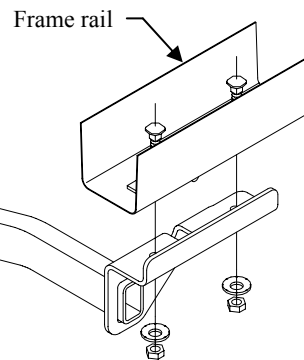


Figure 4.

①	Qty. (4)	Carriage Bolt 7/16-14 X 1.25	③	Qty. (4)	Conical Washer
②	Qty. (4)	Spacer	④	Qty. (4)	Nut 7/16-14

- Detach both (2) rear rubber muffler hangers to lower exhaust.
- Enlarge either hole on bottom of both frame rails with a metal file enough to get spacer through.
- Feed the pullwire through the newly enlarged hole, attach spacer and bolt and feed one at a time into the frame rail. Leave the pullwire attached. Repeat on both frame rails as shown in Figure 3.
- Feed the second spacer and bolt thru the enlarged hole and back out as shown in Figure 2. Leave the pullwire attached. Repeat on both frame rails.
- Feed the pullwires through the slot on the hitch brackets. Raise the hitch into position being careful not to push the fasteners into the frame rails.
- Attach remaining fasteners as shown Figure 1. Hand tighten only.
- Check to assure hitch is centered on vehicle. Bracket may not fit snugly against side of frame rails. See Figure 4.
- Tighten all fasteners to torque specifications.
- Reattach rubber muffler hangers.

Tighten all 7/16 GR5 fasteners with torque wrench to 50 Lb.-Ft. (68 N\*M)

Note: check hitch frequently, making sure all fasteners and ball are properly tightened. If hitch is removed, plug all holes in trunk pan or other body panels to prevent entry of water and exhaust fumes. A hitch or ball which has been damaged should be removed and replaced. Observe safety precautions when working beneath a vehicle and wear eye protection. Do not cut access or attachment holes with a torch.